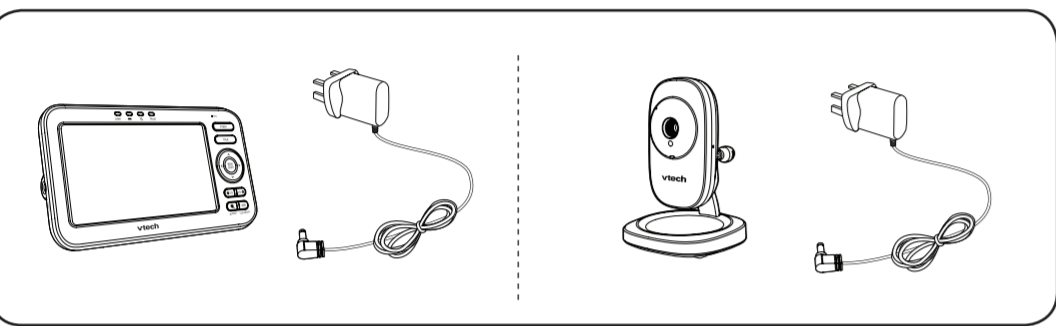




LM808-1W
Full Color Video Monitor

vtech®
User's manual

WHAT'S IN THE BOX



IMPORTANT SAFETY INSTRUCTIONS

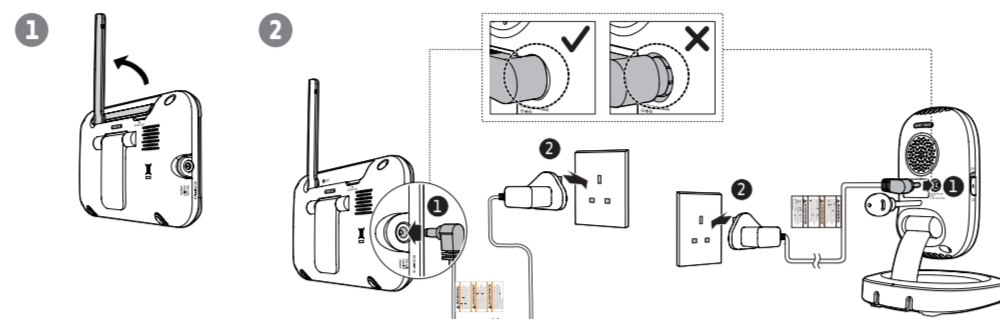
- The applied nameplate is located at the bottom of the baby unit's base.
- When using your equipment, basic safety precautions should always be followed to reduce the risk of fire, electric shock and injury, including the following:
- Follow all warnings and instructions marked on the product.
 - Adult setup is required.
 - CAUTION:** Do not install the baby unit at a height above 2 metres.
 - This product is intended as an aid. It is not a substitute for responsible or proper adult supervision and should not be used as such.
 - This product is not intended for use as a medical monitor. Do not use this product near water. For example, do not use it next to a bath tub, wash bowl, kitchen sink, laundry tub or swimming pool, or in a wet basement or shower.
 - CAUTION:** Use only the battery provided. There may be a risk of explosion if a wrong type of battery is used for the parent unit. The battery cannot be subjected to high or low extreme temperature and low air pressure at high altitude during use, storage or transportation. Disposal of battery into fire or a hot oven, or mechanically crushing or cutting or the battery can result in an explosion. Leaving the battery in an extremely high temperature surrounding environment can result in an explosion or the leakage of flammable liquid or gas. Battery subjected to extremely low air pressure may result in an explosion or the leakage of flammable liquid or gas. Dispose of used battery according to the instructions.
 - Use only the adapters included with this product. Incorrect adapter polarity or voltage can seriously damage the product.
Baby unit power adapter: Output: 5V DC 1A
Parent unit power adapter: Output: 5V DC 1A
Use only adapters and battery listed below.
 - Power adapter information:
Vtech Telecommunications Limited,
Model #: VT05EUK05100(UK), VT05EUEU05100(EU)
 - Rechargeable battery information:
Corun - Ni-MH AAA900mAh 3.6V
Ni-MH AAA900mAh 3.6V
 - The power adapters are intended to be correctly oriented in a vertical or floor mount position. The prongs are not designed to hold the plug in place if it is plugged into a ceiling, under-the-table or cabinet outlet.
 - For pluggable equipment, the socket-outlet shall be installed near the equipment and shall be easily accessible.
 - Unplug this product from the wall outlet before cleaning. Do not use liquid or aerosol cleaners. Use a damp cloth for cleaning.
 - Do not cut out off the power adapters to replace them with other plugs, as this causes a hazardous situation.
 - Do not allow anything to rest on the power cords. Do not install this product where the cords may be walked on or cramped.
 - This product should be operated only from the type of power source indicated on the marking label. If you are not sure of the type of power supply in your home, consult your dealer or local power company.
 - Do not overload wall outlets or use an extension cord. Do not place this product on an unstable table, shelf, stand or other unstable surfaces.
 - This product should not be placed in any area where proper ventilation is not provided. Slots and openings in the back or bottom of this product are provided for ventilation. To protect them from overheating, these openings must not be blocked by placing the product on a soft surface such as a bed, sofa or rug. This product should never be placed near or over a radiator or heat register.
 - Never push objects of any kind into this product through the slots because they may touch dangerous voltage points or create a short circuit. Never spill liquid of any kind on the product.
 - To reduce the risk of electric shock, do not disassemble this product, but take it to an authorized service facility. Opening or removing parts of the product other than specified access doors may expose you to dangerous voltages or other risks. Incorrect assembling can cause electric shock when the product is subsequently used.
 - You should test the sound reception every time you turn on the units or move one of the components.
 - Periodically examine all components for damage.
 - There is a very low risk of privacy loss when using certain electronic devices, such as baby monitors, cordless telephones, etc. To protect your privacy, make sure the product has never been used before purchase, reset the baby monitor periodically by powering off and then powering on the units, and power off the baby monitor if you will not use it for some time.
 - Children should be supervised to ensure that they do not play with the product.
 - The product is not intended for use by persons (including children) with reduced physical, sensory or mental capabilities, or lack of experience and knowledge, unless they have been given supervision or instruction concerning use of the appliance by a person responsible for their safety.
- SAVE THESE INSTRUCTIONS**
- Use and store the product at a temperature between 0°C and 40°C.
 - Do not expose the product to extreme cold, heat or direct sunlight. Do not put the product close to a heating source.
 - Batteries should not be exposed to excessive heat such as bright sunshine or fire.
 - Warning—Strangulation Hazard—**
Children have STRANGLED in cords. Keep this cord out of the reach of children (more than 0.9 m away). Do not remove this tag.
 - Never place the baby unit(s) inside the baby's cot or playpen. Never cover the baby unit(s) or parent unit with anything such as a towel or a blanket.
 - Other electronic products may cause interference with your baby monitor. Try installing your baby monitor as far away from these electronic devices as possible: wireless routers, radios, cellular telephones, intercoms, room monitors, televisions, personal computers, kitchen appliances and cordless telephones.
- Precautions for users of implanted cardiac pacemakers**
Cardiac pacemakers (applies only to digital cordless devices): Wireless Technology Research, LLC (WTR), an independent research entity, led a multidisciplinary evaluation of the interference between portable wireless devices and implanted cardiac pacemakers. Supported by the U.S. Food and Drug Administration, WTR recommends to physicians that:
Pacemaker patients
• Should keep wireless devices at least six inches from the pacemaker.
• Should NOT place wireless devices directly over the pacemaker, such as in a breast pocket, when it is turned ON. WTR's evaluation did not identify any risk to bystanders with pacemakers from other persons using wireless devices.
- Electromagnetic fields (EMF)**
This Vtech product complies with all standards regarding electromagnetic fields (EMF). If handled properly and according to the instructions in this user's manual, the product is safe to be used based on scientific evidence available today.

1 CONNECT AND CHARGE THE BATTERY

Connect the baby monitor

NOTES

- The rechargeable battery in the parent unit is built-in.
- Use only the power adapters supplied with this product.
- Make sure the baby monitor is not connected to a switch-controlled electric outlet.
- Connect the power adapters in a vertical or floor mount position only. The adapters' prongs are not designed to hold the weight of baby monitor, so do not connect them to any ceiling, under-the-table, or cabinet outlets. Otherwise, the adapters may not properly connect to the outlets.
- Make sure the parent unit, the baby unit and the power adapter cords are out of reach of children.



Charge the parent unit battery

When you have connected the parent unit and installed its battery for the first time or after power outage, the parent unit powers on automatically. The battery icon indicates the battery status (see the following table).

NOTES

- Before using the baby monitor for the first time, charge the parent unit battery for 12 hours. When the parent unit battery is fully charged, the battery icon becomes solid .
- It takes longer to charge the battery when the parent unit is turned on. To shorten the charging time, turn the parent unit off while charging.
- The standby time varies depending on the sensitivity level you set, your actual use and the age of the battery.

BATTERY INDICATORS	BATTERY STATUS	ACTION
The battery icon is off and displays	Parent unit operates using AC power, and is charging the battery.	
The screen displays the low battery alert and the battery icon becomes	The battery has very little charge and may be used for only a short time.	Charge without interruption (about 30 minutes).
The battery icon becomes	The battery is fully charged.	To keep the battery charged, connect it to AC power when not in use.

2 BEFORE USE

NOTE

- This baby monitor is intended as an aid. It is not a substitute for proper adult supervision, and should not be used as such.

Test your baby monitor

You may test the baby monitor before initial use, and at regular times thereafter.

CAUTION

- For hearing protection, make sure the parent unit is more than 1 metre away from the baby unit. If you hear any high-pitched noise, move the parent unit further until the noise stops. You can also press VOL on the parent unit to reduce the noise.

- Make sure your baby unit and parent unit are on.
- The parent unit displays images from the baby unit.
 - Speak towards the microphone of the baby unit. You will hear the sound at the parent unit.

NOTE

- When the parent unit displays and then represents the baby unit number), and the LINK LED light flashes, move the parent unit closer to the baby unit (observe the minimum distance of 1 metre). You can also check if the baby unit is connected to a live power socket and switched on.

TIP

- Increase the speaker volume of the parent unit if you cannot hear the sounds transmitted from the baby unit.

Positioning the baby monitor

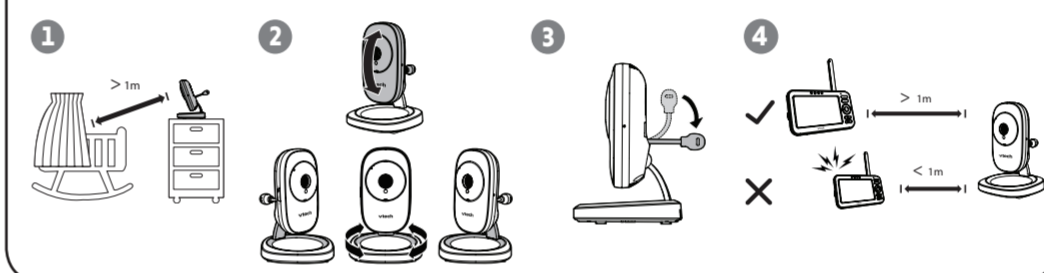
CAUTION

- Keep the baby unit out of the reach of your baby. Never place or mount the baby unit inside the baby's cot or playpen.

NOTE

- To avoid interference from other electronic devices, place your baby monitor at least 1 metre away from devices such as wireless routers, microwaves, cell phones and computers.

- Place the baby unit more than 1 metre away from your baby.
- Adjust the angle of the baby unit camera to aim at your baby.
- Bend down the temperature sensor so that it stays away from baby unit to avoid deviation of temperature detection.
- Place the parent unit more than 1 metre away from the baby unit to avoid screeching noise.



3 USING THE BABY MONITOR (CONT'D)

Lullaby

The baby monitor has five lullabies and four soothing sounds for you to comfort your baby. You can play lullabies or soothing sounds on the baby unit by controlling remotely with the parent unit.

To play lullabies:

- Press when the parent unit is idle.
- Press to choose Play Lullaby.
- Press or to choose Play Melodies, then press .
- Press or to choose a lullaby, or choose Play All, then press .
 - If Play All is selected, the five lullabies will be played one after the other, until all of them are played.
- When the desired lullaby is selected, press or to choose Play, then press .

To play soothing sounds:

- Press when the parent unit is idle.
- Press to choose Play Lullaby.
- Press or to choose Play Soothing Sounds, then press .
- Press or to choose a soothing sound, then press .

To stop lullabies or soothing sounds:

- Press when the parent unit is idle.
- Press to choose Play Lullaby.
- Press or to choose Stop, then press .

To set auto timer for lullabies:

While the baby unit is playing a lullaby or soothing sound, the auto timer feature automatically stops the lullaby or soothing sound after playing for 15/30/45/60 minutes. You can set auto timer for lullabies with the parent unit.

- Press when the parent unit is idle.
- Press to choose Play Lullaby.
- Press or to choose Auto Timer, then press .
- Press or to choose the desired lullabies duration, then press to confirm your selection.

After 15/30/45/60 minutes, the lullaby or soothing sound will stop automatically.

Adjust LCD brightness

You can change the brightness of the parent unit screen from **Level 1** to **Level 5**. The LCD brightness is preset to **Level 3**.

- Press when the parent unit is idle.
- Press to choose Brightness.
- Press or to choose the desired level of brightness.

Turn on and off the dim mode

The dim mode is preset to on to help you save the parent unit power. Your parent unit display will dim automatically after 10 minutes of inactivity, in which there is neither key pressed nor alert received from the baby unit.

NOTE

- While the screen is dimmed, any keypress or alert message will trigger the screen to return to the preset brightness level. After 10 minutes of inactivity, it will dim again.

Adjust the sound sensitivity of the baby unit

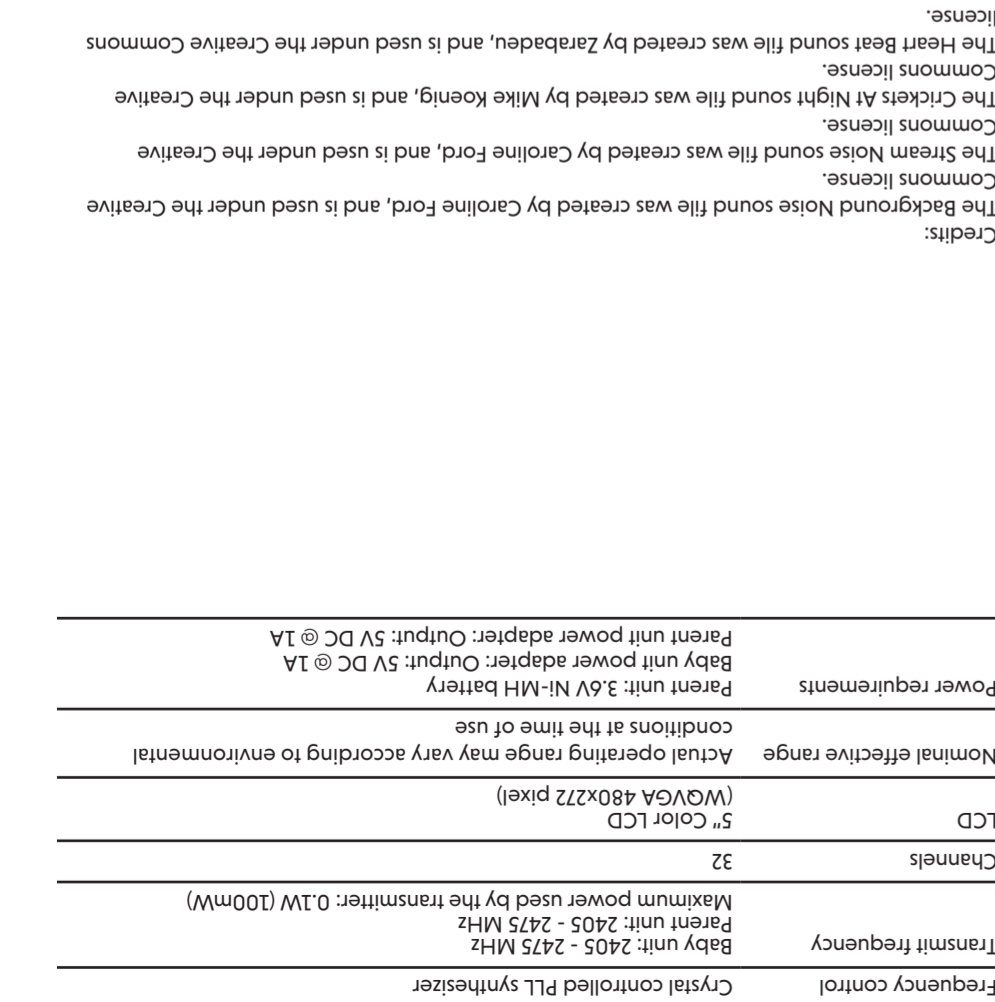
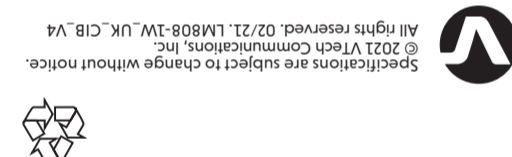
You can turn on Sound activation and adjust the VOX sensitivity to detect sounds and turn on the parent unit while its screen is switched off or dimmed.

When the baby unit detects sounds that exceed certain levels, the parent unit screen will turn on and the baby unit starts transmitting the sounds to the parent unit, and you can see and hear your baby. If you have turned on the **Night light Auto-on** and the **Projection light Auto-on** feature, they will turn on automatically to sooth your baby.

If you turn off Sound activation, you will hear sounds from the baby unit all the time, even when the parent unit screen is switched off.

VOX SENSITIVITY LEVEL	Level 5 (Highest)	Level 4 (High)	Level 3 (Medium)	Level 2 (Low)	Level 1 (Lowest)
DESCRIPTION	(Default setting) The parent unit screen and speaker turn on for soft babbling and louder sounds from your baby. The parent unit remains quiet when your baby sleeps soundly.	The parent unit screen and speaker turn on for soft babbling and louder sounds from your baby. The parent unit remains quiet when your baby makes soft sounds.	The parent unit screen and speaker turn on for soft babbling and louder sounds from your baby. The parent unit remains quiet when your baby makes soft sounds.	The parent unit screen and speaker turn on for crying and louder sounds from your baby. The parent unit remains quiet when your baby makes soft sounds.	The parent unit screen and speaker turn on for loud crying or screeching sounds from your baby. The parent unit remains quiet when your baby makes soft sounds.

TECHNICAL SPECIFICATIONS	Frequency control	Transmit frequency	Channels	LCD	Normal effective range	Power requirements
	Crystal controlled PLL synthesizer	Baby unit: 2405 ~ 2475 MHz Parent unit: 2405 ~ 2475 MHz	32	5" Color LCD (WQVGA 480x272 pixels)	Actual operating range may vary according to environmental conditions at the time of use (WQVGA 480x272 pixels)	Parent unit: 3.6V Ni-MH battery Baby unit power adapter: Output: 5V DC @ 1A Parent unit power adapter: Output: 5V DC @ 1A



CAUTION

- The default volume of your parent unit is level 4, and the maximum volume is level 7. If you experience high-pitched screeching noise from your baby monitor while positioning:
 - Make sure your baby unit and parent unit are more than 1 metre apart, OR
 - Lower the volume of your parent unit.

Operating range

The operating range of the baby monitor is up to 300 metres outdoors. The actual operating range may vary depending on the environmental conditions and other interferences such as walls, doors and other obstructions.

3 USING THE BABY MONITOR

Power on or off the baby unit

- Slide the ON/OFF switch to **ON** to turn on the baby unit. The ON/OFF LED light turns on.
- Slide the ON/OFF switch to **OFF** to turn off the baby unit. The ON/OFF LED light turns off.

Power on or off the parent unit

- Press and hold **POWER** to turn on the parent unit. The screen turns on.
- Press and hold **POWER** again to turn off the parent unit. The screen turns off.

Turn on or off the parent unit screen

You can turn on or off the parent unit screen without powering off the parent unit. You can still hear sound from the baby unit.

- Press and hold **LCD ON/OFF** on the parent unit to turn off the screen.
- Press any keys on the parent unit to turn on the screen again.

Adjust speaker volume

For parent unit:

- Press VOL or VOL on the parent unit at any time when viewing images. As you adjust the volume, the number of solid bar shows on indicates the current volume level.

For baby unit:

The baby unit speaker volume determines the lullaby volume and talkback volume transmitted from parent unit. It can be adjusted in the parent unit.

- Press when the parent unit is idle.
- Press to choose , then press .
- Press or to choose the desired volume level. Level 1 is the softest while Level 5 is the loudest. Then, press to confirm your selection.

- Release the TALK key to stop the broadcast.

NOTES

- The parent unit speaker is muted during voice broadcast. Sound transmission from the baby unit resumes after TALK is released.
- The baby unit's talkback volume can be adjusted via the parent unit menu.

Set alert tone

Low battery tone

You can set the parent unit to beep when the parent unit operates in low battery condition.

- Press when the parent unit is idle.
- Press to choose Alert settings.
- Press or again to choose Low Battery Tone, then press .
- Press or to choose **On** or **Off**, then press to confirm your selection.

No link alert

You can set the parent unit to beep when the link between the parent unit and the baby unit is lost.

- Press when the parent unit is idle.
- Press to choose Alert settings.
- Press or to choose No Link Alert, then press .
- Press or to choose **On** or **Off**, then press to confirm your selection.

Monitor the temperature

Your baby unit monitors the temperature of your baby's room with its built-in temperature sensor. If the detected temperature is out of the preset temperature range, the parent unit will display an alert message.

Set temperature range

You can set the desired room temperature alert range. The minimum temperature can be set between **11 °C** and **20 °C**. The maximum temperature can be set between **21 °C** and **30 °C**.

- Press when the parent unit is idle.
- Press to choose Temperature.
- Press or to choose Minimum or Maximum, then press .
- Press or to choose the desired minimum or maximum temperature, then press to confirm your selection.

Temperature alert tone

You can turn on the temperature alert tone so that the parent unit will emit an alert tone if the detected temperature is out of range.

- Press when the parent unit is idle.
- Press to choose Temperature.

- Press when the parent unit is idle.
- Press to choose VOX Sensitivity.
- Press or to choose the desired sensitivity level.

TIPS

- You can adjust the baby unit placement to improve the sound detection.
- If you want to use a sound machine or white noise machine for natural white noise while using this baby monitor to check on your baby, you can:
 - Lower the volume of your sound machine or white noise machine; or
 - Lower the sensitivity level of your baby monitor to medium (level 3) or below. Default level is the highest level.

Turn on or off the sound activation

When **Sound activation** is on, the parent unit screen stays off to save power when the baby unit detects no sound.

Once the baby unit detects sounds that are louder than the chosen sound sensitivity level, the parent unit screen and speaker turn on automatically. The parent unit will then turn off again after 50 seconds of no sound detection.

- Press when the parent unit is idle.
- Press to choose Sound-activated Screen.
- Press or to choose **On** or **Off**, then press to confirm your selection.

NOTES

- If you have muted the parent unit speaker, only the parent unit screen will turn on when a sound is detected.

- When the parent unit screen is off and it receives alerts, for example, link lost between parent unit and baby unit, or battery is low, the parent unit screen and speaker will turn on for 10 seconds.

Zoom

You can zoom in while viewing images from the baby unit.

- Press to zoom in.
- Press or to move the zoomed image downward or upward.
- Press to move the zoomed image leftward or rightward.
- Press again to zoom out.

Talk

You can use the TALK function of the parent unit to comfort your baby.

- Press and hold TALK on the parent unit. The TALK light turns on.
- Speak towards the microphone on the parent unit. Your voice is broadcast to the baby unit.

3 USING THE BABY MONITOR (CONT'D)

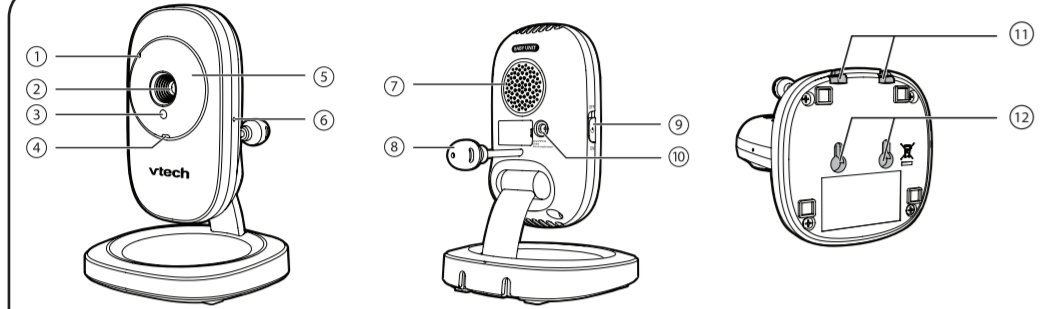
- Press **▼** or **▲** to choose **Temperature Alert tone**, then press **MENU SELECT**.
- Press **▼** or **▲** to choose **On or Off**, then press **MENU SELECT** to confirm your selection.

Temperature format

You can choose to display the temperature in Fahrenheit (°F) or Celsius (°C).

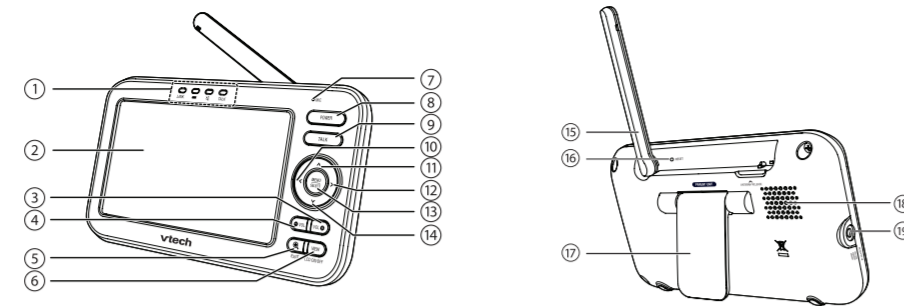
- Press **MENU SELECT** when the parent unit is idle.
- Press **<** or **>** to choose **Temperature**.
- Press **▼** or **▲** to choose **F °C Format**, then press **MENU SELECT**.
- Press **▼** or **▲** to choose **°F or °C**, then press **MENU SELECT** to confirm your selection.

BABY UNIT OVERVIEW



- | | |
|--|--|
| 1 Microphone | 7 Speaker |
| 2 Camera | 8 Temperature sensor |
| 3 Light sensor | 9 ON/OFF switch |
| 4 ON/OFF LED light | 10 Power jack |
| • On when the baby unit is turned on and is paired to the parent unit. | 11 Wall mount holes for upright mounting |
| • Flashes when the baby unit is not being viewed, or when the link to the parent unit is lost. | 12 Wall mount holes for lateral mounting |
| 5 Infrared LEDs | • While in a menu, press to return to the main menu or idle screen. |
| 6 Pair hole | • While viewing zoomed image, press and hold to move the zoomed image leftward. |
| • Your baby unit and parent unit provided are already paired. | • While in a menu, press to return to the main menu or idle screen. |
| | • Do not install the baby unit at a height above 2 metres. |

PARENT UNIT OVERVIEW



- LED lights**
Indicate the different statuses of the parent unit. For details, refer to **Parent unit lights**.
- LCD display**
- VOL**
- VOL**
- Q Zoom**
• Press to zoom in or out.
- VIEW / LCD ON/OFF**
- Microphone**
- POWER**
- TALK**
• **Press and hold** to talk to the selected baby unit.
- <**
• While in a menu, press to return to the main menu or idle screen.
• While viewing zoomed image, **press and hold** to move the zoomed image leftward.
- >**
• While in a menu, press to choose an item.
• While viewing zoomed image, **press and hold** to move the zoomed image rightward.
- MENU/SELECT**
• Press to enter the menu.
• While in a menu, press to choose an item, or save a setting.
- ▼**
• While in a menu, press to scroll down.
• While viewing zoomed image, **press and hold** to move the zoomed image downward.
- Antenna**
- RESET**
• Force reboot the parent unit.
- Stand**
- Speaker**
- Power jack**
- >**
• While in a menu, press to scroll up.
• While viewing zoomed image, **press and hold** to move the zoomed image upward.
- ▲**
• While in a menu, press to scroll up.
• While viewing zoomed image, **press and hold** to move the zoomed image upward.

PARENT UNIT LIGHTS

- LINK**
- On when the parent unit is linked to the baby unit.
 - Flashes when the link to the baby unit is lost.
- Battery status**
- On when the parent unit is connected to AC power, or the battery is charging.
 - Flashes when the parent unit battery is low and needs charging.
 - Off when the parent unit is disconnected from AC power.
- It turns on:**
- When the parent unit speaker volume is set to off; or
 - When the parent unit is talking to the baby unit.
- TALK**
- On when the parent unit is talking to the baby unit.

Status icons

- Connection status**
- T** displays when strong signal strength is detected between the baby unit and the parent unit.
 - T** or **T** displays when moderate or low signal strength is detected between the baby unit and the parent unit.
 - T** displays when weak signal strength is detected between the baby unit and the parent unit.
- Lullaby**
- Displays when the baby unit being viewed is playing lullaby.
- Current view status**
- Night vision**
- Displays when the baby unit being viewed has activated the night vision feature.
- Zoom**
- Displays when the current image on the parent unit has zoomed in.
- Temperature alert tone**
- Displays when the temperature alert tone is set on.
- Real-time temperature**
- Displays the real-time temperature detected by the baby unit in Fahrenheit (°F) or Celsius (°C) (e.g. **57°F** or **14°C**).
- Mute alert**
- Displays when the parent unit speaker volume is set to off.
 - Displays when the parent unit is talking to the baby unit.

PARENT UNIT ICONS

- 9-level sound indicator**
- (1 to 3 bars) indicates low sound level detected by the baby unit.
 - (4 to 6 bars) indicates moderate sound level detected by the baby unit.
 - (7 to 9 bars) indicates high sound level detected by the baby unit.
- Speaker volume**
- Displays the parent unit speaker volume level while adjusting.
- Battery status**
- animates when the battery is charging.
 - displays solid when the battery is fully charged.
 - displays when the battery is low and needs charging.
- Night light (On)**
- Displays when the night light is on.
- Night light (Auto-On)**
- Displays when the night light is on Auto mode.
 - Color icon indicates the night light is set to auto-on, and is currently turned on by sound activation.
 - Gray icon indicates the night light is currently off but is set to auto-on. Night light will turn on when sound is detected by the baby unit.
- Projection light (On)**
- Displays when the projection light is on.
- Projection light (Auto on)**
- Color icon indicates the projection light is set to auto-on, and is currently turned on by sound activation.
 - Gray icon indicates the projection light is currently off but is set to auto-on. Projection light will turn on when sound is detected by the baby unit.
- Alert vibration**
- Displays when the alert vibration is on.
- Warning icons and messages**
- | | | |
|--|--|---|
| | No link between units | The connection between parent unit and baby unit is lost. |
| | Battery low at Parent Unit | The battery level of the parent unit is very low and needs to be recharged. |
| | Temperature too high at Baby unit | The temperature detected by the baby unit is higher/lower than the desired temperature alert range. |
| | Temperature too low at Baby unit | |

Main menu icons

- Brightness**
- You can change the brightness of the parent unit screen.
- Camera settings**
- You can adjust the baby unit's speaker volume.
- Lullaby**
- With this feature, you can select one of the soothing sounds, or white noise.
 - You can select one of the five melodies, or play all melodies.
 - You can set timer to stop playing the selected melody or soothing sound.

Night light

- You can turn on or off the night light.
- You can select one of the night light colors.
- You can set timer to turn the night light off.
- You can set to auto turn on the night light when baby unit detects sound. It will turn off after 15 minutes of no sound detection. You can set **VOX sensitivity level** to detect sounds that exceed certain levels. See **Turn on or off the sound activation** section.

Temperature

- You can choose to set the maximum/ minimum temperature and turn on the **Temperature alert tone**, so that the parent unit beeps whenever the room temperature detected by the baby unit falls outside of the desired temperature range.
- You can choose to display the temperature in Fahrenheit (°F) or Celsius (°C) on your parent unit.

Alert Tone

- You can set the parent unit to beep when:
 - the parent unit operates in low battery condition;
 - the link between the parent unit and the baby unit is lost;
 - when selecting an option in the menus.
- You can turn on/off the alert vibration.

Sound-activated Screen

- When the baby unit detects no sound, the parent unit screen stays off to save power. Once a sound is detected, the parent unit screen turns on automatically. It will then turn off again after 50 seconds of no sound detection.

VOX Sensitivity

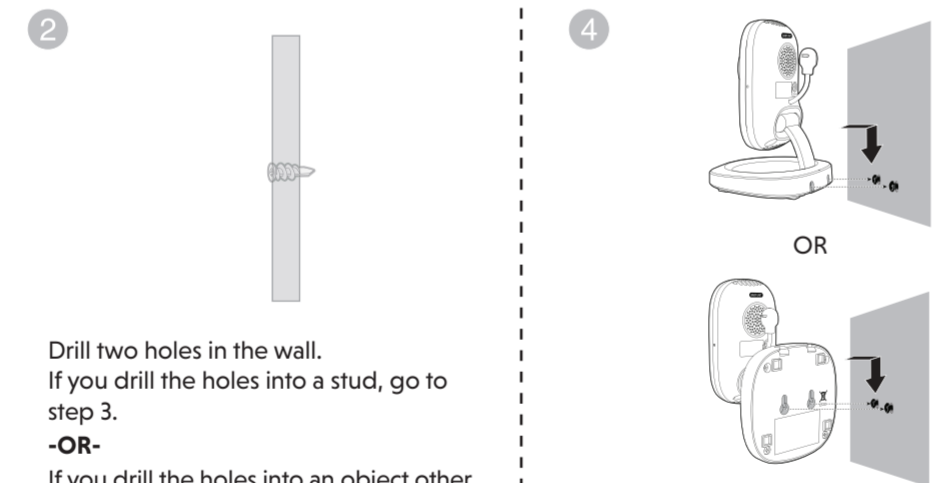
- You can set VOX sensitivity level to activate parent unit screen and sound when baby unit detects sounds that exceed certain levels. See **Turn on or off the sound activation** section.

NIGHT VISION

The baby unit has infrared LEDs that allow you to see your baby clearly at night or in a dark room. When the baby unit being viewed detects low light levels, the infrared LEDs are switched on automatically. The images from the baby unit are in black and white, and appears on the screen.

NOTES

- It is normal if you see a short white glare on your parent unit screen as the baby unit is adapting to the dark environment.
- When the infrared LEDs are on, the images are in black and white. This is normal.
- TIP**
- Depending on the surroundings and other interfering factors, like lightings, objects, colors and backgrounds, the video quality may vary. Adjust the baby unit's angle or place the baby unit at a higher level to prevent glare and blurry display.



Drill two holes in the wall. If you drill the holes into a stud, go to step 3.

-OR-

If you drill the holes into an object other than a stud, insert the wall anchors into the holes. Tap gently on the ends with a hammer until the wall anchors are flush with the wall.

- Insert the screws into the holes and tighten the screws until only 1/4 inch of the screws are exposed.

MOUNT THE BABY UNIT ON DRY WALL (OPTIONAL)

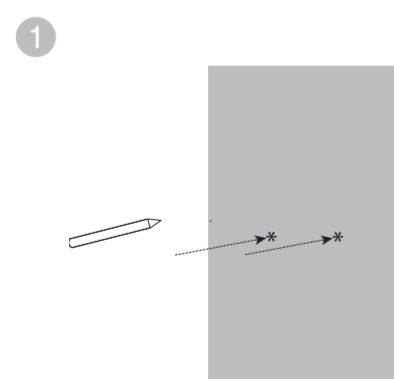
Items to purchase

You will need to purchase the following items separately to mount your baby unit:

- 2 screws
- 2 anchors

NOTE

- The types of screws and anchors you need depend on the composition of the wall.



NOTE

- Check for reception strength and camera angle before drilling the holes.

Use a pencil to mark two holes in parallel. Make sure they are the same distance apart as the wall mount holes on the baby unit.

GENERAL PRODUCT CARE

To keep this product working well and looking good, follow these guidelines:

- Avoid putting it near heating appliances and devices that generate electrical noise (for example, motors or fluorescent lamps).
- DO NOT expose it to direct sunlight or moisture.
- Avoid dropping the product or treating it roughly.
- Clean with a soft cloth.
- DO NOT immerse the parent unit and the baby unit in water and do not clean them under the tap.
- DO NOT use cleaning spray or liquid cleaners.
- Make sure the baby unit and parent unit are dry before you connect them to the mains again.

STORAGE

When you are not going to use the baby monitor for some time, remove the rechargeable battery from the parent unit. Store the parent unit, the baby unit and the adapters in a cool and dry place.

FREQUENTLY ASKED QUESTIONS

Below are the questions most frequently asked about the baby monitor.

- Why does the baby monitor not respond normally?**
- Try the following (in the order listed) for common cure:
- Disconnect the power to the baby unit and the parent unit.
 - Remove the batteries in the parent unit. Then, install the batteries again.
 - Wait a few seconds before connecting power back to the baby unit and the parent unit.
 - Turn on the baby unit and the parent unit.
 - Wait for the parent unit to synchronize with the baby unit. Allow up to one minute for this to take place.
- Why don't the power-on light of the baby unit and parent unit go on when I switch on the units?**
- Perhaps the parent unit is not connected to the power. Insert the appliance plug into the parent unit and establish connection with the baby unit.
Perhaps the baby unit is not connected to the power. Insert the appliance plug into the baby unit and put the adapter in a wall socket. Then, slide the **ON/OFF** switch to **ON** to switch on the baby unit and to establish connection with the parent unit.
- Why doesn't my parent unit charge while connected to AC power?**
- Make sure the power is not controlled by a wall switch.
Make sure the battery is correctly installed in your parent unit.
- Why is my screen in black and white?**
- The screen is in black and white during night-time or in a dark room when the night vision feature is activated. This is normal.
- Why do I get glare or blurry display on my screen when viewing my baby at night?**
- During night-time or in a dark room, the surroundings and other interfering factors, like lightings, objects, colors and backgrounds may affect the image quality on your parent unit screen. Adjust the baby unit's angle or place the baby unit at a higher level to prevent glare and blurry display.
- Why does the baby monitor produce a high-pitched noise?**
- The parent unit and baby unit may be too close to each other.
- Move the parent unit away from the baby unit until the noise stops; OR
 - Turn down the volume of your parent unit.
- Why does the parent unit beep?**
- The baby unit may be out of range. Move the parent unit closer to the baby unit (but not less than 1 metre).
- The parent unit may not have enough charge for the parent unit to perform normally. Charge the battery in the parent unit until battery icon become solid.
- The temperature of your baby's room may be too high or too low.
- Why does the parent unit react too quickly to other sounds?**
- The baby unit also picks up other sounds than those of your baby. Adjust the VOX sensitivity level to a lower level or lower the parent unit speaker volume.
- Why don't I hear a sound/Why can't I hear my baby cry?**
- The parent unit speaker volume may be too low. Press **VOL** to increase the volume.
You may have set a low VOX sensitivity level. See **Adjust the sound sensitivity of the baby unit** to set to a higher level.

Why can't I establish a connection? Why is the connection lost every now and then? Why are there sound interruptions?

The baby unit may be out of range. Move the parent unit closer to the baby unit (but not less than 1 metre).

Other electronic and wireless products may cause interference with your baby monitor. Try installing your baby monitor as far away from these devices as possible.

If you power on only one baby unit, your parent unit may display **No link to CAM #**, and the **LINK** LED light flashes. Press **VIEW** to switch to the baby unit you have powered on.

CUSTOMER SERVICE AND PRODUCT WARRANTY

ONE YEAR PRODUCT WARRANTY

Thank you for choosing this quality product from VTech. We hope it will bring many hours of entertainment, imaginative play and learning.

- The product detailed above is covered by a one year warranty from the date of purchase, against any defects in materials or workmanship.
- The product may be returned to the place of purchase. Alternatively the product can be returned to VTech Electronics Europe plc (see address below), with proof of purchase, without proof of purchase no replacement will be provided.
- VTech Electronics Europe plc will examine the product and if it is found to be defective due to faulty materials or workmanship, will replace the product at their discretion.
- If the product covered by this warranty is damaged due to misuse, modification or unauthorised repair, or because of faulty batteries, battery discharge or incorrect electrical connections, then this warranty becomes void.
- This warranty is personal to the original purchaser and is not transferable.
- Breakages to the LCD screen are not covered by the warranty.
- Returns to VTech Electronics Europe plc should include a cheque or postal order for £1.50 towards the cost of return postage and packaging.
- Products returned to VTech Electronics Europe plc should be addressed as follows and packed carefully to avoid damage in transit (Please do not include batteries or adaptor). Please include details of the fault together with your name and address.
- To keep an online record of your warranty, please register your product online at www.vtech.co.uk/warranty

Vtech Electronics EU PLC, c/o XPO Logistics, Warehouse 350, Cat & Fiddle Lane, West Ham, DE7 6HE

THIS WARRANTY IS OFFERED AS AN EXTRA BENEFIT AND DOES NOT AFFECT CONSUMERS' STATUTORY RIGHTS.

This warranty is valid for the UK and Eire only. For products purchased outside the UK and Eire, please contact your local distributor or place of purchase.

IMPORTANT
Please retain this booklet with your sales receipt as proof of the date of purchase.

Customer Service
Please call our Consumer Services Department on 03306 780149 (from UK) or +44 3306 780149 (outside UK) and a service representative will be happy to help you.

DISPOSAL OF BATTERIES AND PRODUCT

The crossed-out wheelite bin symbols on products and batteries, or on their respective packaging, indicates they must not be disposed of in domestic waste as they contain substances that can be damaging to the environment and human health.

The chemical symbols Hg, Cd or Pb, where marked, indicate that the battery contains more than the specified value of mercury (Hg), cadmium (Cd) or lead (Pb) set out in Battery Directive (2006/66/EC).

The solid bar indicates that the product was placed on the market after 13th August, 2005.

Help protect the environment by disposing of your product or batteries responsibly.

DECLARATION OF CONFORMITY

This product is intended for use within Europe and UK.
This equipment complies with the essential requirements to EU's Radio Equipment Directive (2014/53/EU) and the UK's Radio Regulations 2017 on radio systems and telecommunication equipment.
VTech Telecommunications Ltd. hereby declares that this Video Monitor LM808-1W is in compliance with the essential requirements and other relevant provisions of EU's Radio Equipment Directive (2014/53/EU) and UK's Radio Equipment Regulations 2017.
The Declaration of Conformity for the LM808-1W is available from www.vtechbabycare.com.

Manufacturer: VTech Telecommunications Ltd.
23/F., Tai Ping Industrial Centre, Block 1, 57 Ting kok Road, Tai Po, Hong Kong.

Importer: VTech Electronics Europe plc
Napier Court, Abingdon Science Park, Abingdon, Oxon, OX14 3YT, U.K.

