

RM7764HD

7-inch Smart Wi-Fi 1080p Pan and Tilt Monitor



vtech Quick start guide

Congratulations

on purchasing your new Vtech product. Before using this HD video monitor, please read Important safety instructions.

What does HD Video Monitor do?

Vtech 7-inch Smart Wi-Fi 1080p Pan and Tilt Monitor allows you to stay close to your baby when you are on the move or away.

This monitor is Wi-Fi enabled, which uses your home wireless network to stream live video and audio through the HD baby unit and 7-inch color screen parent unit. It allows you to maintain a constant connection to your baby.

You can also monitor from your smartphone and mobile tablet.

Vtech 7-inch Smart Wi-Fi 1080p Pan and Tilt Monitor uses MyVtech Baby 1080p app to let you instantly see and hear what's happening with your baby from anywhere in the world.

The app can be downloaded from the App Store or the Google Play™ Store, directly from your smartphone or mobile tablet.

IMPORTANT SAFETY INSTRUCTIONS

The applied nameplate is located at the bottom of the baby unit's base.

When using your equipment, basic safety precautions should always be followed to reduce the risk of fire, electric shock and injury, including the following:

- 1. Follow all warnings and instructions marked on the product.
2. Adult setup is required.
3. CAUTION: Do not install the baby unit at a height above 2 metres.
4. This product is intended as an aid. It is not a substitute for responsible and proper adult supervision and should not be used as such.
5. This product is not intended for use as a medical monitor.
6. Do not use this product near water. For example, do not use it next to a bath tub, wash bowl, kitchen sink, laundry tub or swimming pool, or in a wet basement or shower.
7. CAUTION: Use only the battery provided. There may be a risk of explosion if a wrong type of battery is used for the parent unit.
8. Use only the adapters included with this product.
9. The power adapters are intended to be correctly oriented in a vertical or floor mount position.
10. For pluggable equipment, the socket-outlet shall be installed near the equipment and shall be easily accessible.
11. Unplug this product from the wall outlet before cleaning.
12. Do not cut off the power adapters to replace them with other plugs.
13. Do not allow anything to rest on the power cords.
14. This product should be operated only from the type of power source indicated on the marking label.
15. Do not overload wall outlets or use an extension cord.
16. Do not place this product on an unstable table, shelf, stand or other unstable surfaces.
17. This product should not be placed in any area where proper ventilation is not provided.
18. Never push objects of any kind into this product through the slots because they may touch dangerous voltage points or create a short circuit.
19. To reduce the risk of electric shock, do not disassemble this product.
20. You should test the sound reception every time you turn on the units or move one of the components.
21. Periodically examine all components for damage.

- 22. There is a very low risk of privacy loss when using a very low risk of privacy loss when using cordless telephones, etc.
23. Children should be supervised to ensure that they do not play with the product.
24. The product is not intended for use by persons (including children) with reduced physical, sensory or mental capabilities.

SAVE THESE INSTRUCTIONS

Cautions

- 1. Use and store the product at a temperature between 0°C and 40°C.
2. Do not expose the product to extreme cold, heat or direct sunlight.
3. Batteries should not be exposed to excessive heat such as bright sunshine or fire.
4. Warning—Strangulation Hazard—Children have STRANGLED in cords.
5. Never place the baby unit(s) inside the baby's cot or playpen.
6. Other electronic products may cause interference with your baby monitor.

Precautions for users of implanted cardiac pacemakers

Cardiac pacemakers (applies only to digital cordless devices): Wireless Technology Research, LLC (WTR), an independent research entity, led a multidisciplinary evaluation of the interference between portable wireless devices and implanted cardiac pacemakers.

Pacemaker patients

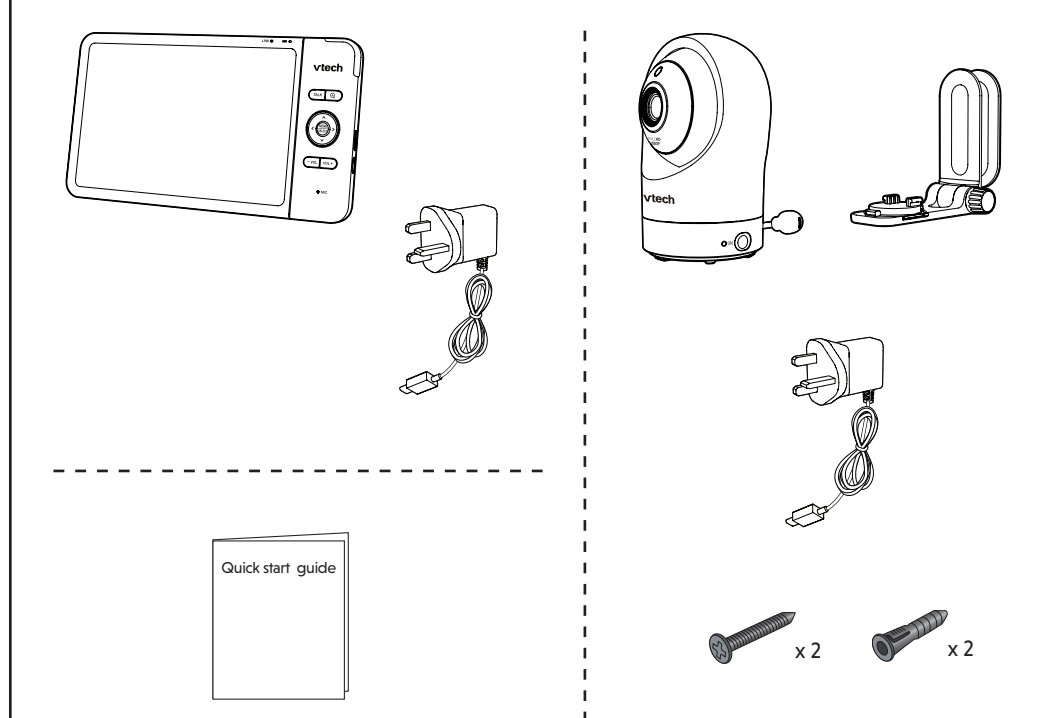
- Should keep wireless devices at least six inches from the pacemaker.
• Should NOT place wireless devices directly over the pacemaker, such as in a breast pocket, when it is turned ON.
WTR's evaluation did not identify any risk to bystanders with pacemakers from other persons using wireless devices.

Electromagnetic fields (EMF)

This Vtech product complies with all standards regarding electromagnetic fields (EMF). If handled properly and according to the instructions in this user's manual, the product is safe to be used based on scientific evidence available today.

WHAT'S IN THE BOX

Your HD video monitor package contains the following items. Save your sales receipt and original packaging in the event warranty service is necessary.

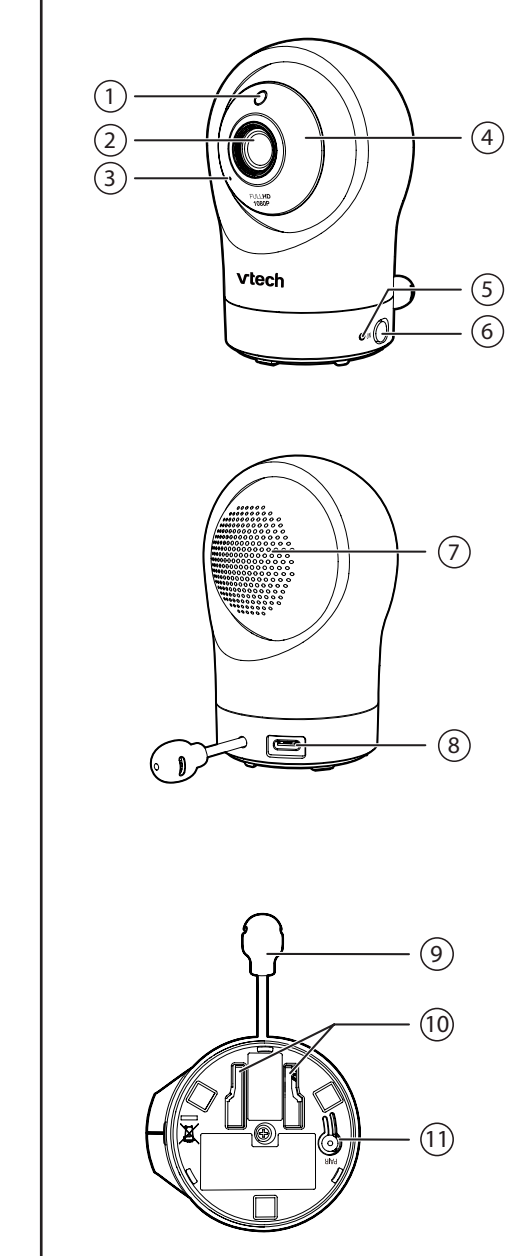


Requirements

Table with 2 columns: Network/Wi-Fi router and Internet connection. Details include Wi-Fi frequency (2.4GHz 802.11 b/g/n) and bandwidth requirements (1.5 Mbps @ 720p or 2.5 Mbps @1080p upload).

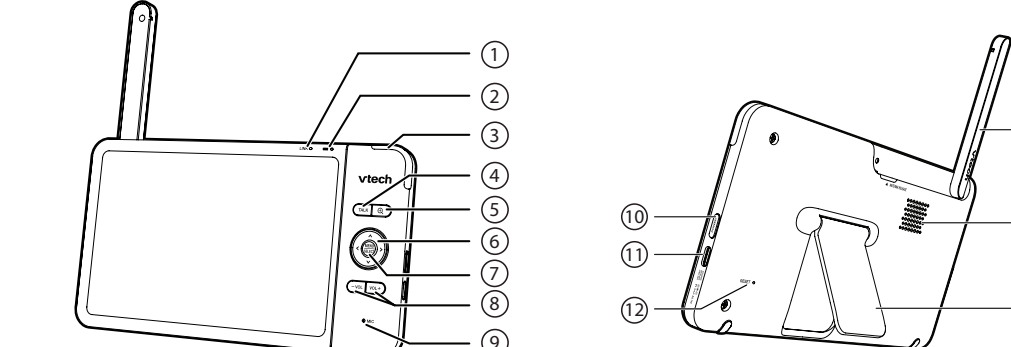
OVERVIEW

Baby unit overview



- 1 Light sensor
2 Camera lens
3 Microphone
4 Infrared LEDs
5 LED indicator
6 ON
7 Speaker
8 Power jack
9 Temperature sensor
10 Slots for wall mounting
11 PAIR

Parent unit overview



- 1 LINK LED light
2 LED light
3 3-level sound indicator light
4 TALK
5 Arrow keys
6 Press to navigate leftward, upward, rightward or downward.
7 MENU/SELECT
8 -VOL/ VOL+
9 Microphone
10 POWER key
11 Power jack
12 RESET
13 Antenna
14 Speaker
15 Stand

Specifications are subject to change without notice. All rights reserved. © 2021 Vtech Communications, Inc.



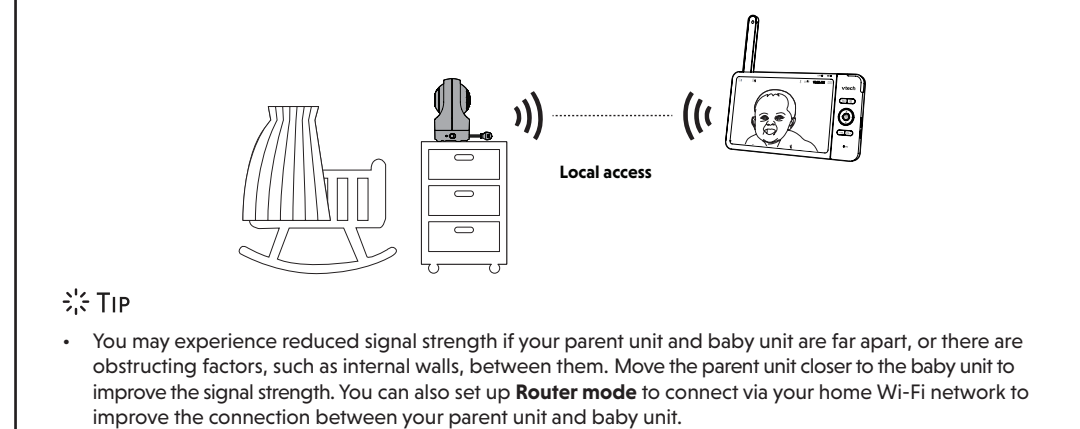
Android™ and Google Play™ are trademarks of Google Inc. iOS is a trademark or registered trademark of Cisco in the U.S. and other countries and is used under license.



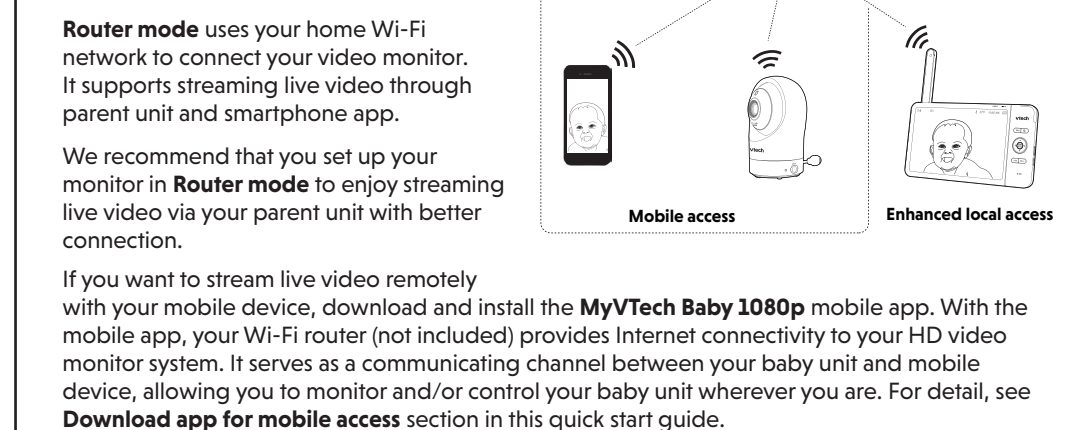
TECHNICAL SPECIFICATIONS table with columns: Frequency, Channels, LCD, Actual operating range, Power requirement, Parent unit battery.

HOW THE SYSTEM WORKS

Direct mode: The parent unit and the baby unit of your video monitor connect to each other in Direct mode by default, which allows you to stream live video right out of the box.



Router mode: You can continue using your video monitor with Direct mode connection, or you can set up your monitor in Router mode connection.



NOTE: Your parent unit detects the connection signal strength. If you have connected your video monitor with your home Wi-Fi network, your parent unit automatically switches to direct or router mode - the one that has stronger signal strength.

PROTECT YOUR PRIVACY AND ONLINE SECURITY

Vtech cares about your privacy and peace of mind. That's why we've put together a list of industry-recommended best practices to help keep your wireless connection private and your devices protected when online.

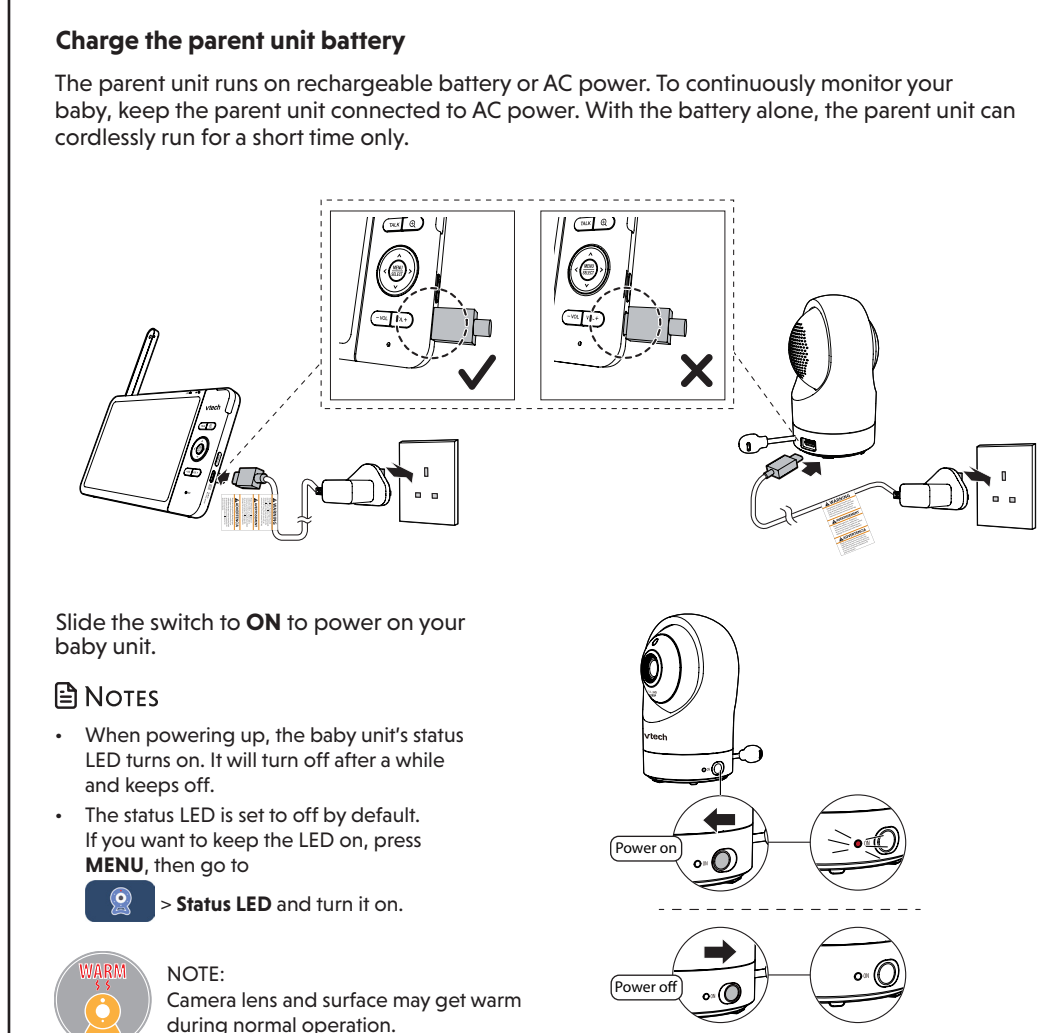
- Ensure your wireless connection is secure.
• Before installing a device, ensure your router's wireless signal is encrypted by selecting the "WPA2-PSK with AES" setting in your router's wireless security menu.
• Change your wireless router's default wireless network name (SSID) to something unique.
• Change default passwords to unique, strong passwords.

- Download security patches from manufacturers as soon as they become available.
• If the feature is available, enable automatic updates for future releases.
• UPnP enabled on a router can limit the effectiveness of your firewall by allowing other network devices to open inbound ports without any intervention or approval from you.

- 1. Federal Communications Commission: Wireless Connections and Bluetooth Security Tips
2. U.S. Department of Homeland Security: Before You Connect a New Computer to the Internet
3. Federal Trade Commission: Using IP Cameras Safely
4. Wi-Fi Alliance: Discover Wi-Fi Security

CONNECT, CHARGE AND POWER ON THE BABY MONITOR

- Connect the baby monitor: The rechargeable battery in the parent unit is built-in. Use only the power adapters supplied with this product.
Charge the parent unit battery: The parent unit runs on rechargeable battery or AC power. To continuously monitor your baby, keep the parent unit connected to AC power.



CONNECT, CHARGE AND POWER ON THE PARENT UNIT

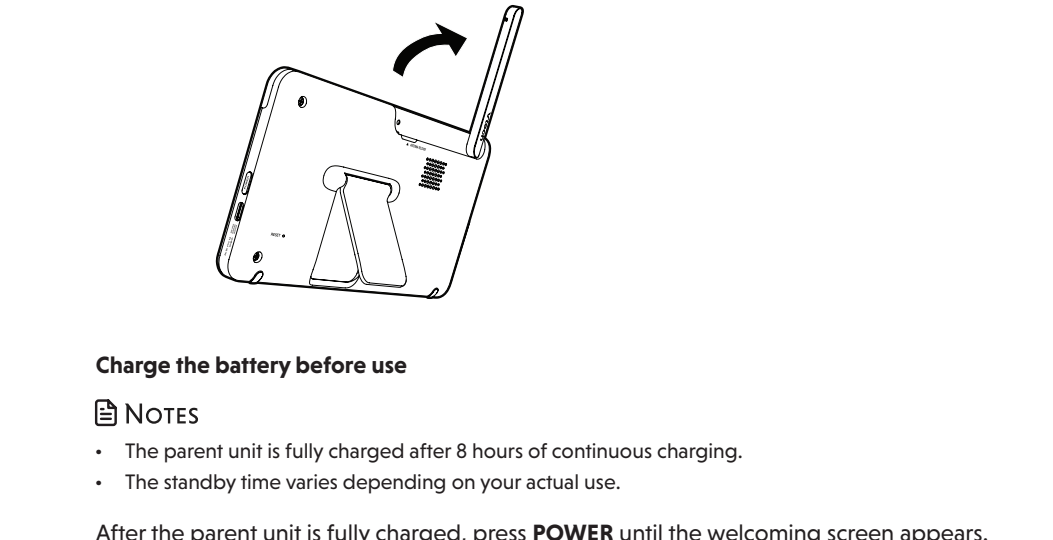


Table with 3 columns: BATTERY INDICATORS, BATTERY STATUS, ACTION. Describes how the screen and battery icon indicate charge levels and what actions to take.

PARENT UNIT ICONS

Table with 2 columns: Main Menu, Options. Lists various icons and their functions, such as Monitoring mode, Alerts, Parent unit settings, and Status icons.

BASIC OPERATION

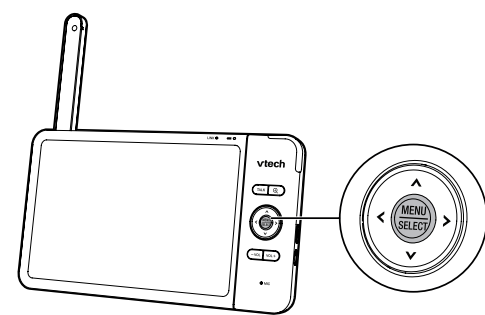
After powering up your video monitor, the parent unit streams live video in direct mode. We recommend you follow the instructions on screen to set up home Wi-Fi network with your monitor for functionality enhancements and mobile access. See **Auto software and firmware update** and **Download app for mobile access** in this quick start guide.

Use the menu

Press **MENU** on the parent unit to enter the main menu, choose a menu item, or save a setting. You can use the parent unit menu for advanced settings or operations, such as to play or stop lullaby, or adjust the motion and sound detection settings.

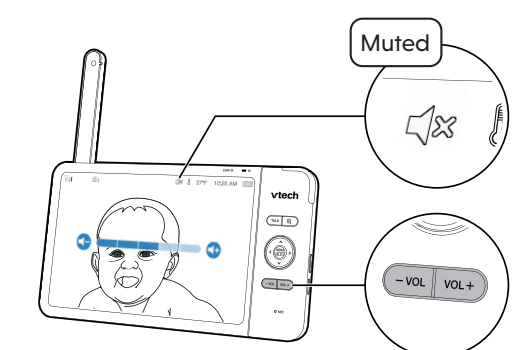
While in the menu:

- Press **A**, **V**, **L** or **R** to scroll among the menu options.
- Press **SELECT** to select an item.
- Press **TALK** to return to the live video.
- Press **Q** to go to the **Help & info** page.



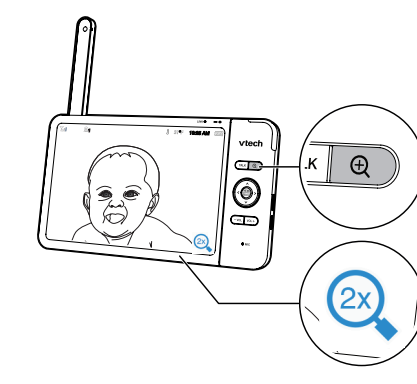
Adjust speaker volume

Press **-VOL** / **VOL+** to adjust your parent unit speaker volume. It determines the volume of sound transmitted from your baby unit.



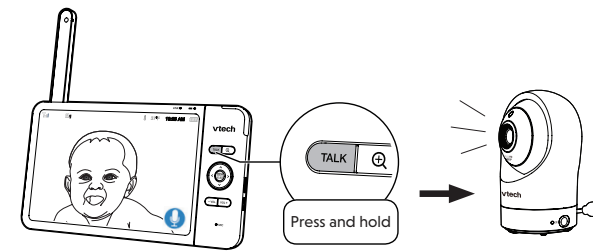
Zoom

Press **Q** to zoom in or out.



Talk to your baby via the baby unit

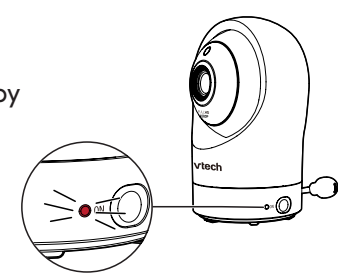
1. Press and hold the **TALK** key.
2. When the icon displays on screen, speak to your parent unit. Your voice is transmitted to the baby unit.
3. When finish talking, release the **TALK** key and hear your baby again.



Turn on/off baby unit's status LED

You may set the status LED indicator of your baby unit on or off. Go to

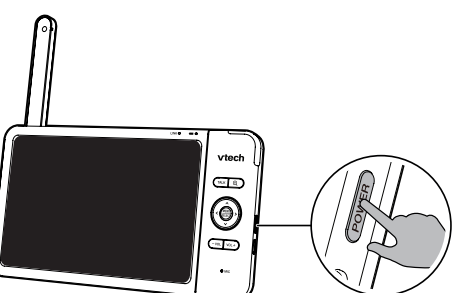
- > **Status LED**.



Turn on/off the parent unit screen

You can turn on or off the parent unit screen without powering off the parent unit. You can still hear sound from the baby unit.

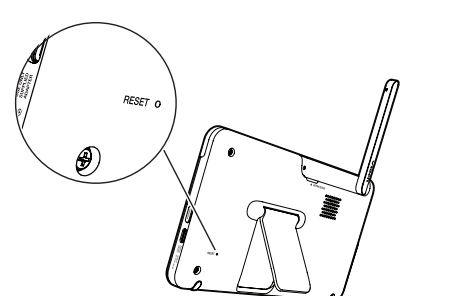
- Press **POWER** on the parent unit to turn off the screen.
- Press any keys on the parent unit to turn on the screen again.



TIP

You can reset the parent unit by pressing the **RESET** key at the back of the unit.

Use a pin and insert it into the hole on the back of the parent unit, and then press the button inside.



TEST THE SOUND LEVEL AND POSITION THE HD VIDEO MONITOR

NOTE

- This HD video monitor is intended as an aid. It is not a substitute for proper adult supervision, and should not be used as such.

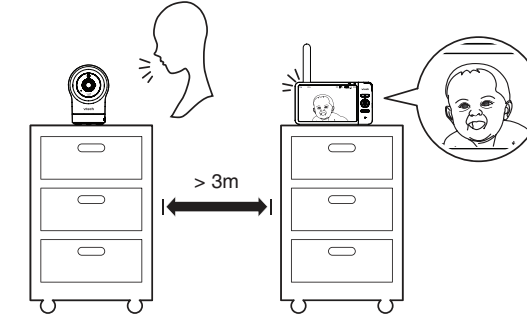
Testing the sound level of the HD video monitor

CAUTION

- For hearing protection, make sure the parent unit is more than 3 metres away from the baby unit. If you hear any high-pitched noise from the parent unit, move the parent unit further until the noise stops. You can also press **-VOL** on the parent unit to lower or mute the noise.

TIP

- Increase the parent unit speaker volume if you cannot hear the sounds transmitted from the baby unit.

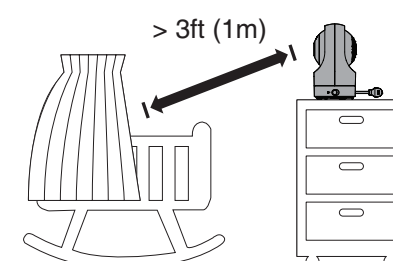


Positioning the HD video monitor

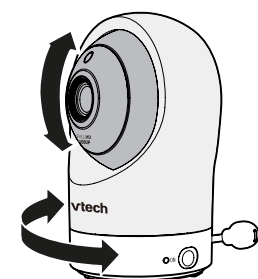
CAUTION

- Keep the baby unit out of the reach of your baby. Never place or mount the baby unit inside the baby's cot or playpen.

1. Place the baby unit more than 1 metre away from your baby.

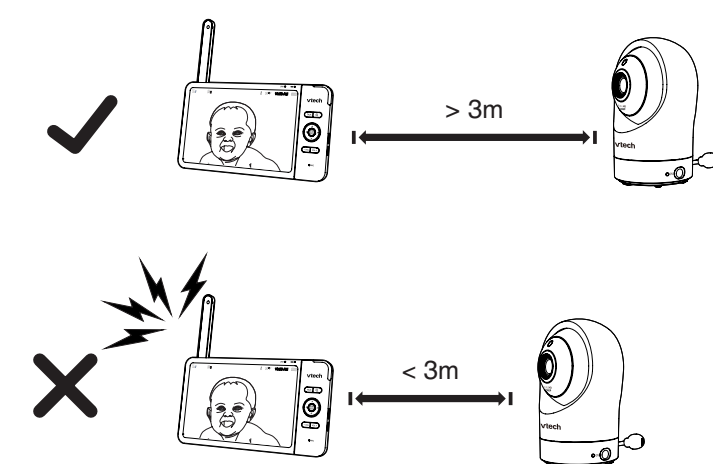


2. Adjust the angle of the baby unit to aim at your baby. Refer to the online help topics on how to use the Pan/tilt and Zoom functions of the baby unit.



To avoid causing high-pitched screaming noise from your HD video monitor:

- Make sure your baby unit and parent unit are more than 3 metres apart; OR
- Turn down the volume of your parent unit.



AUTO SOFTWARE AND FIRMWARE UPDATE

To ensure that your HD video monitor is always at its best performance, the parent unit will prompt a message and ask you to update its software and the baby unit's firmware when there are new versions available.

- Follow the instructions on the parent unit screen to update your HD video monitor. If you skip the updates, the parent unit and baby unit will be updated automatically when the parent unit is powered off, and then powered on again.

Connect your HD video monitor with home Wi-Fi network

- You must connect your video monitor to your secured home Wi-Fi network in order to receive the latest software and firmware updates. To set it up, go to

- > **Configure Wi-Fi**.

DOWNLOAD APP FOR MOBILE ACCESS

1. You can download the free **MyVtech Baby 1080p** mobile app and install it to a mobile device, then use your mobile device and the mobile app to monitor your areas remotely.

1. Press **MENU** when the parent unit is idle.

2. Go to > **Connect Mobile Phone**.

3. Scan the QR code in the parent unit to download the app into your mobile device.

4. Follow the instructions in the mobile app to set up and pair your baby unit to the mobile app.

Alternatively, you can download the mobile app from the App Store or Google Play store.

Install MyVtech Baby 1080p mobile app

1. Browse the App Store or the Google Play store.
2. Search for the mobile app with the keyword "myvtech baby 1080p".
3. Download and install the **MyVtech Baby 1080p** mobile app to your mobile device.

OR

Scan the QR codes on the right to get the app.

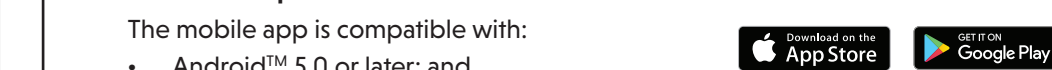
NOTE

- Make sure your mobile device meets the minimum requirement for the mobile app.

Minimum requirement

The mobile app is compatible with:

- Android™ 5.0 or later; and
- iOS 8.0 or later.



2. After installing the mobile app, follow the instructions in the mobile app and parent unit to set up and pair your baby unit.

In your mobile device:

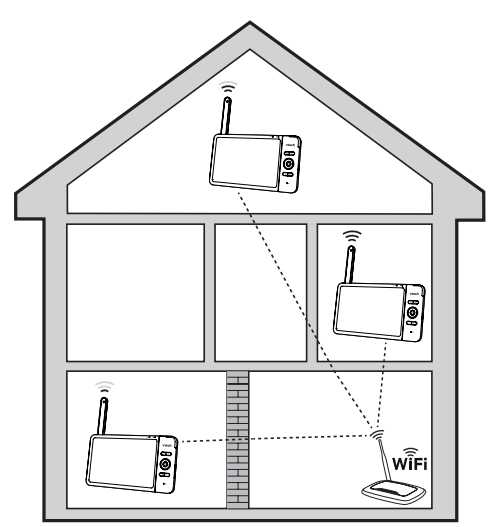
1. Tap to run the mobile app in your mobile device, and then create an account.
2. We recommend that you use common webmail services, such as Google Gmail for registration of your mobile app account. Check your email (and Spam folder), and activate your new account via the email link, then sign in to your account.
3. Follow the instructions in the mobile app to pair the baby unit. Tap in the mobile app to get started.

TEST THE LOCATION FOR THE BABY UNIT

If you plan to install your baby unit in a designated location, and use your home Wi-Fi network to connect your video monitor, you need to test which of your selected monitoring areas within the house have good Wi-Fi signal strength. After you have powered on your parent unit, you can use your parent unit's Wi-Fi signal strength indicator to assist in checking. Once you have identified the suitable location, you can install your baby unit. Adjust the distance between your baby unit and the Wi-Fi router if needed.

TIP

- Depending on surroundings and obstructing factors, such as the effect distance and internal walls have on signal strength, you may experience reduced Wi-Fi signal. To improve the Wi-Fi signal strength, adjust the distance or direction of your parent unit. Check with your parent unit again.

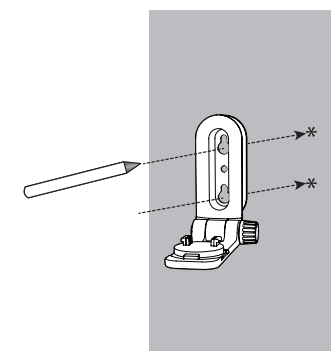


MOUNT THE BABY UNIT (OPTIONAL)

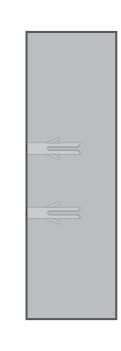
NOTES

- Check for reception strength and baby unit angle before drilling the holes.
- The types of screws and anchors you need depend on the composition of the wall. You may need to purchase the screws and anchors separately to mount your baby units.

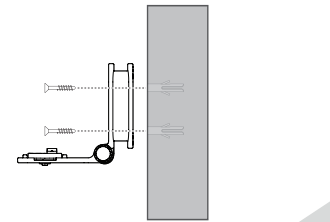
1. Place the wall mount bracket on a wall and then use a pencil to mark two holes in parallel. Remove the wall mount bracket and drill two holes in the wall (7/32 inch drill bit).



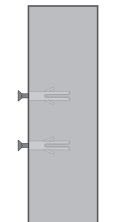
2. If you drill the holes into a stud, go to step 3.
 - If you drill the holes into an object other than a stud, insert the wall anchors into the holes. Tap gently on the ends with a hammer until the wall anchors are flush with the wall.



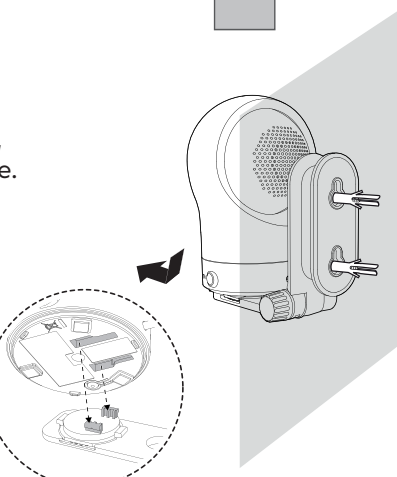
3. Align the wall mount bracket and screws with the holes in the wall as shown. Tighten the screw in the middle hole first, so that the wall mount bracket position is fixed. You can tighten the other screw in the top hole.



3. Insert the screws into the holes and tighten the screws until only 1/4 inch of the screws are exposed.

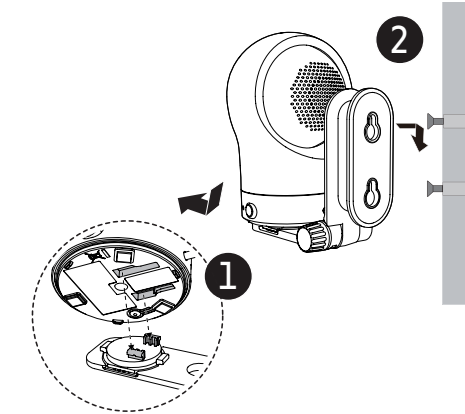


4. Place the baby unit on the wall mount bracket, and then slide it forward until it locks into place. Connect the power adapter to the baby unit and a power supply not controlled by a wall switch.

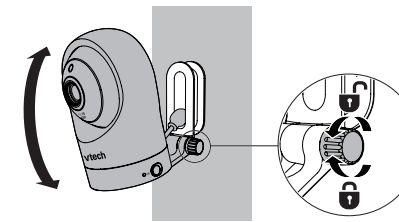


OR

4. Place the baby unit on the wall mount bracket, and then slide it forward until it locks into place. Align the holes on the wall mount bracket with the screws on the wall, and slide the wall mount bracket down until it locks into place.



5. You can maximize your baby unit's viewing angles by tilting the wall mount bracket. Hold the baby unit, and then rotate the knob in anticlockwise direction. This will loosen the joint of the wall mount bracket. Tilt your baby unit up or down to adjust to your preferred angle. Then, rotate the knob in clockwise direction to tighten the joint and secure the angle.



CUSTOMER SERVICE AND PRODUCT WARRANTY

PRODUCT WARRANTY

Thank you for choosing this quality product from VTech. We hope it will bring many hours of entertainment, imaginative play and learning.

1. The product detailed above is covered by a one year warranty from the date of purchase, against any defects in materials or workmanship.
 2. The product may be returned to the place of purchase. Alternatively the product can be returned to VTech Electronics Europe plc (see address below), with proof of purchase, without proof of purchase no replacement will be provided.
 3. VTech Electronics Europe plc will examine the product and if it is found to be defective due to faulty materials or workmanship, will replace the product at their discretion.
 4. If the product covered by this warranty is damaged due to misuse, modification or unauthorised repair, or because of faulty batteries, battery discharge or incorrect electrical connections, then this warranty becomes void.
 5. This warranty is personal to the original purchaser and is not transferable.
 6. Breakages to the LCD screen are not covered by the warranty.
 7. Returns to VTech Electronics Europe plc should include a cheque or postal order for £1.50 towards the cost of return postage and packaging.
 8. Products returned to VTech Electronics Europe plc, should be addressed as follows and packed carefully to avoid damage in transit (Please do not include batteries or adaptor). Please include details of the fault together with your name and address.
 9. To keep an online record of your warranty, please register your product online at www.vtech.co.uk/warranty
- VTech Electronics EU PLC, c/o XPO Logistics, Warehouse 350, Cat & Fiddle Lane, West Hallam, DE7 9HE
- THIS WARRANTY IS OFFERED AS AN EXTRA BENEFIT AND DOES NOT AFFECT CONSUMERS' STATUTORY RIGHTS.**

This warranty is valid for the UK and Eire only. For products purchased outside the UK and Eire, please contact your local distributor or place of purchase.

IMPORTANT

Please retain this booklet with your sales receipt as proof of the date of purchase.

Customer Service

Please call our Consumer Services Department on 03306 780149 (from UK) or +44 3306 780149 (outside UK) and a service representative will be happy to help you.

DISPOSAL OF BATTERIES AND PRODUCT



The crossed-out wheeled bin symbols on products and batteries, or on their respective packaging, indicates they must not be disposed of in domestic waste as they contain substances that can be damaging to the environment and human health.



The chemical symbols Hg, Cd or Pb, where marked, indicate that the battery contains more than the specified value of mercury (Hg), cadmium (Cd) or lead (Pb) set out in Battery Directive (2006/66/EC).



The solid bar indicates that the product was placed on the market after 13th August, 2005.

Help protect the environment by disposing of your product or batteries responsibly.

DECLARATION OF CONFORMITY

This product is intended for use within Europe and UK. This equipment complies with the essential requirements to EU's Radio Equipment Directive (2014/53/EU) and the UK's Radio Regulations 2017 on radio systems and telecommunication equipment. VTech Telecommunications Ltd, hereby declares that this Video Monitor RM7764HD is in compliance with the essential requirements and other relevant provisions of EU's Radio Equipment Directive (2014/53/EU) and UK's Radio Equipment Regulations 2017. The Declaration of Conformity for the RM7764HD is available from www.vtechbabycare.com.



Manufacturer: VTech Telecommunications Ltd, 23/F., Tai Ping Industrial Centre, Block 1, 57 Ting kok Road, Tai Po, Hong Kong. Importer: VTech Electronics Europe Plc, Napier Court, Abingdon Science Park, Abingdon OX14 3YT, U.K.

NEED HELP?

Driven by system updates, the software, online help topics, and online FAQs will be updated periodically.

For operations and guides to help you using your HD video monitor, and for latest information and supports, go and check the online help topics and online FAQs.

Use your smartphone or mobile device to access our online help.

1. Go to www.vtechbabycare.com. OR

Scan the QR code on the right. Launch the camera app or QR code scanner app on your smartphone or tablet. Hold the device's camera up to the QR code and frame it. Tap the notification to trigger the redirection of the online help.

- If the QR code is not clearly displayed, adjust your camera's focus by moving your device closer or further away until it is clear.

2. Search for the model - **RM7764HD**.

If you would like to contact us, visit www.vtechbabycare.com or scan the QR code.



Online help and support

GENERAL PRODUCT CARE

To keep this product working well and looking good, follow these guidelines:

- Avoid putting it near heating appliances and devices that generate electrical noise (for example, motors or fluorescent lamps).
- DO NOT expose it to direct sunlight or moisture.
- Avoid dropping the product or treating it roughly.
- Clean with a soft cloth.
- DO NOT immerse the parent unit and the baby unit in water and do not clean them under the tap.
- DO NOT use cleaning spray or liquid cleaners.
- Make sure the parent unit and the baby unit are dry before you connect them to the mains again.

STORAGE

When you are not going to use the HD video monitor for some time, store the parent unit, the baby unit and the adapters in a cool and dry place.

FREQUENTLY ASKED QUESTIONS

Below are the questions most frequently asked about the HD video monitor.

Can I turn off the parent unit screen but keep hearing sound from the baby unit?
The parent unit's LCD display will dim automatically after being inactive for some time. Press **MENU/SELECT** will turn the LCD display back on.

Why does the baby unit not respond normally?
Try the following (in the order listed) for common cure:
1. Disconnect the power to the baby unit.
2. Wait a few minutes before connecting power back to the baby unit.
3. Reboot the parent unit.

Why is my screen in black and white?
The baby unit has a light sensor that measures the ambient light. When the ambient light is dim, such as during nighttime or in a dark room, the baby unit activates its infrared LEDs, and the parent unit displays the live video in black and white.

Why does my baby unit show offline? Why is the connection lost every now and then?
The baby unit may lose the Internet connection. Check your network and the router setting.
Other electronic products may cause interference with your baby unit. Try installing your baby unit as far away from these electronic devices as possible.

Why don't I hear a sound/Why can't I hear my baby cry?
The parent unit speaker volume may be too low. Press **VOL+** to increase the volume.
You may have set a low sound sensitivity level. Set the sound sensitivity to a higher level.