



RM5764HD

5" Smart Wi-Fi 1080p Pan and Tilt Monitor



Quick start guide

Congratulations

on purchasing your new Vtech product.

Before using this HD video monitor, please read the **Important safety instructions**.

What does this HD Video Monitor do?

Vtech 5" Smart Wi-Fi 1080p Pan and Tilt Monitor allows you to stay close to your baby when you are on the move or away. This monitor is Wi-Fi enabled, which uses your home wireless network to stream live video and audio through the HD baby unit and 5-inch colour screen parent unit. It allows you to maintain a constant connection to your baby.

You can also monitor from your smartphone and mobile tablet.

Vtech 5" Smart Wi-Fi 1080p Pan and Tilt Monitor uses **MyVtech Baby Pro** app to let you instantly see and hear what's happening with your baby from anywhere in the world.

Download the app at the App Store or the Google Play™ Store directly from your smartphone or mobile tablet.

IMPORTANT SAFETY INSTRUCTIONS

The applied nameplate is located at the bottom of the baby unit's base.

When using your equipment, basic safety precautions should always be followed to reduce the risk of fire, electric shock and injury, including the following:

- Follow all warnings and instructions marked on the product.
- Adult setup is required.
- CAUTION:** Do not install the baby unit at a height above 2 metres.
- This product is intended as an aid. It is not a substitute for responsible and proper adult supervision and should not be used as such.
- This product is not intended for use as a medical monitor.
- Do not use this product near water, for example, near to a bath, sink, swimming pool or shower.
- CAUTION:** Use only the battery provided. There may be a risk of explosion if a wrong type of battery is used for the parent unit. The battery cannot be subjected to high or low extreme temperature and low air pressure at high altitude during use, storage or transportation. Disposal of battery in fire or a hot oven, mechanically crushing or cutting the battery can result in an explosion. Leaving the battery in an extremely high temperature surrounding environment can result in an explosion or the leakage of flammable liquid or gas. Battery subjected to extremely low air pressure may result in an explosion or the leakage of flammable liquid or gas. Dispose of used batteries according to the instructions.
- Use only the power adaptors included with this product. Incorrect power adaptor polarity or voltage can seriously damage the product.

Power adaptor information:
Parent unit output: 5V DC 1A
Vtech Telecommunications Ltd.
Model: VT05EU05100 (EU), VT05EUK05100 (UK).
Baby unit output: 5V DC 1A.
Vtech Telecommunications Ltd.
Model: VT05EUK05100 (EU), VT05EUK05100 (UK).

Rechargeable battery information:
3.8V 2100mAh Lithium-Ion Polymer battery
Zhongshan Tianmao Battery Co., Ltd.
Model Number: BP1763

- The power adaptors are intended to be correctly oriented in a vertical or floor mount position. The prongs are not designed to hold the plug in place if it is plugged into a ceiling, under-the-table or cabinet outlet.
- For pluggable equipment, the socket-outlet should be installed near the equipment and should be easily accessible.
- Unplug this product from the wall outlet before cleaning. Do not use liquid or aerosol cleaners. Use a damp cloth for cleaning.
- Do not modify the power adaptors or replace with other adaptors, as this causes a hazardous situation.
- Do not allow anything to rest on the power cords. Do not install this product where the cords may be walked on or crimped.
- This product should be operated only from the type of power source indicated on the marking label. If you are not sure of the type of power supply in your home, consult your dealer or electricity supply provider.
- Do not overload wall outlets or use an extension cord.
- The equipment is to be supplied from an identified USB port complying with the requirements of Limited Power Source.

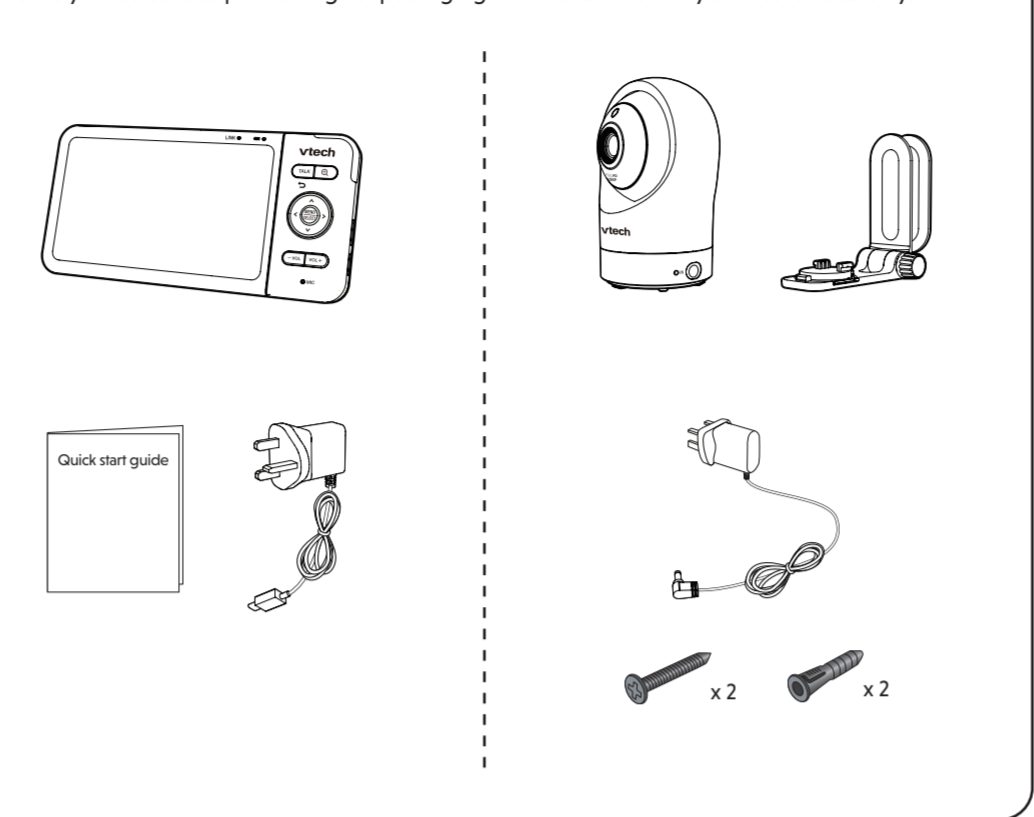
SAVE THESE INSTRUCTIONS

- Use and store the product at a temperature between 0°C and 40°C.
- Do not expose the product to extreme cold, heat or direct sunlight. Do not put the product close to a heating source.
- Batteries should not be exposed to excessive heat such as bright sunshine or fire.
- Mishandling batteries can cause burn, fire or explosion hazards.

- Warning—Strangulation Hazard—** Children have STRANGLED in cords. Keep this cord out of the reach of children (more than 0.9m away). Do not remove warning label on the adaptor cord.
- Never place the baby unit(s) inside the baby's cot or playpen. Never cover the baby unit(s) or parent unit with anything such as a towel or a blanket.
- Other electronic products may cause interference with your baby monitor. Try installing your baby monitor as far away from these electronic devices as possible: wireless routers, radios, cellular telephones, intercoms, room monitors, televisions, personal computers, kitchen appliances and cordless telephones.

WHAT'S IN THE BOX

Your HD video monitor package contains the following items. Save your sales receipt and original packaging in the event warranty service is necessary.



Requirements

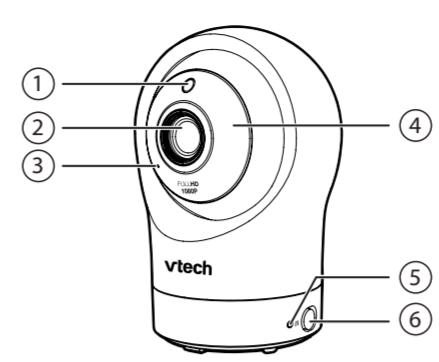
For mobile access:

MyVtech Baby Pro mobile app

Network	Wi-Fi
Wi-Fi router	2.4GHz 802.11 b/g/n
Internet connection	1.5 Mbps @ 720p or 2.5 Mbps @1080p upload bandwidth per baby unit

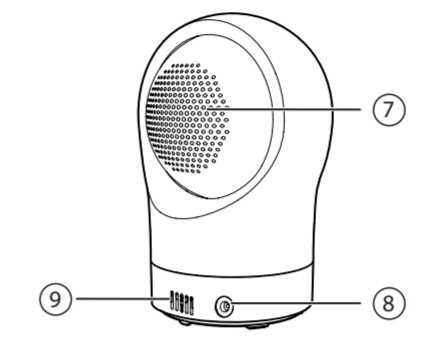
OVERVIEW

Baby unit overview



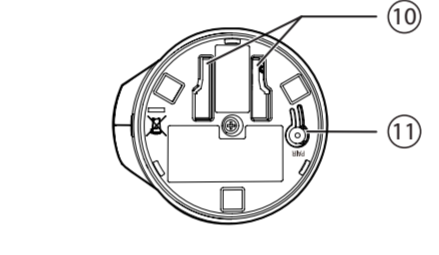
- Light sensor**
- Camera lens**
- Microphone**
- Infrared LEDs**

- Allow you to see clearly in a dark surrounding.
- LED indicator**
- Orange is steady on when the baby unit is connecting to the parent unit directly in local mode.
 - Green is steady on when the baby unit and parent unit are connecting to your home Wi-Fi network via the Wi-Fi router.
 - Flashes orange slowly during video streaming in local mode.
 - Flashes green slowly during video streaming via home Wi-Fi network.



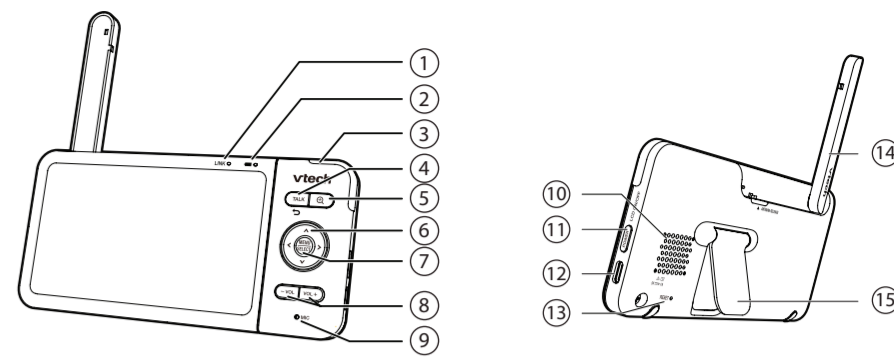
- ON**
- Speaker**
- Power jack**
- Temperature sensor**

- Power on/off switch.
- Slots for wall mounting**
- Wall mount bracket is included in your package.



- PAIR**
- Reset the baby unit to factory default.
- TALK /**
- Press and hold **PAIR** key until you hear a beep sound.
 - Release the **PAIR** key, and then press the **PAIR** key again five times until you hear another beep sound.
 - The baby unit will sound another beep when the reset completes. Then, the baby unit will reboot.

Parent unit overview



- LINK LED light**
- On when the parent unit is linked to the baby unit.
 - Flashes when the link to the baby unit is lost.

- LED light**
- On when the parent unit is connected to AC power, and the battery is charging.
 - Flashes when the parent unit battery is low and needs charging.

- 3-level sound indicator light**
- Green light is on when a low sound level is detected by the baby unit.
 - Green and amber lights are on when a moderate sound level is detected by the baby unit.
 - Green, amber and red lights on when a high sound level is detected by the baby unit.

- TALK /**
- Press and hold to talk to the baby unit.
 - While in a submenu, press to exit.

- Zoom in/out**
- Press to zoom in/out.
 - While in a submenu, press to view the help menu.

- Arrow keys**
- Press to navigate leftward, upward, rightward or downward, within the main menu and submenus.
 - While viewing zoomed image, press to move the zoomed image leftward, upward, rightward or downward.

- MENU/SELECT**
- Press to enter the main menu.
 - While in a menu, press to choose an item, or save a setting.

- VOL/ VOL+**
- Increase or decrease the parent unit's speaker volume.

- Microphone**

- Speaker**

- POWER / LCD ON/OFF**

- Power jack**

- RESET**
- Force reboot the parent unit.

- Antenna**

- Stand**

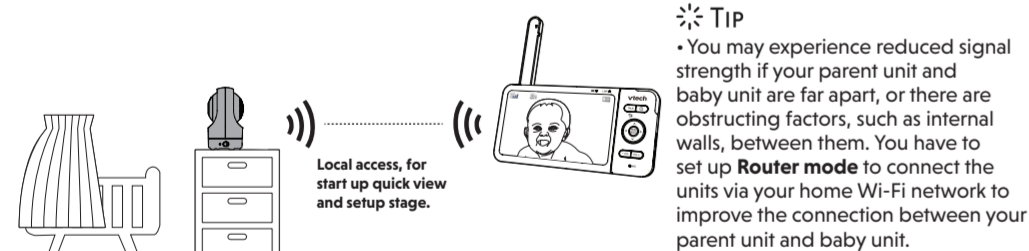
HOW THE SYSTEM WORKS

Tip For better security and more stable connectivity, this baby monitor requires connecting to a Wi-Fi network and operating in Router mode connection.

To set up Router mode, you must update the software, then go to **Configure Wi-Fi > Select Connection Mode, and choose Router mode.**

Direct mode

Your baby monitor parent unit and baby unit connect to each other in **Direct mode** by default, which allows you to immediately stream video out of the box. It is **NOT recommended to continue using Direct Mode connection after initial installation.**



Tip
You may experience reduced signal strength if your parent unit and baby unit are far apart, or there are obstructing factors, such as internal walls, between them. You have to set up **Router mode** to connect the units via your home Wi-Fi network to improve the connection between your parent unit and baby unit.

Router mode

You are required to set up your monitor in **Router mode** to enjoy live video streaming via your parent unit with an enhanced connection. **Router mode** is the recommended mode for stable connectivity.

Router mode uses your home Wi-Fi network to connect your video monitor. It supports live video streaming through the parent unit and smartphone app.

If you want to stream live video remotely with your mobile device, download and install the **MyVtech Baby Pro** mobile app. With the mobile app, your Wi-Fi router (not included) provides Internet connectivity to your HD video monitor system. It serves as a communicating channel between your baby unit and mobile device, allowing you to monitor and/or control your baby unit wherever you are. For more details, see **Download app for mobile access** section in this quick start guide.

Auto mode

Auto mode should only be used when your Wi-Fi router is periodically turned off or the Wi-Fi connection is unstable. It works by automatically selecting the connection mode (**Direct** or **Router**) when connecting to the baby unit(s). For routers turned on 24/7 with good Wi-Fi connectivity, **Router mode** is the best selection. Mobile app access will not be interrupted in **Auto mode**.



Scan to learn more on improve connectivity.

NOTE:
When both parent unit and app are viewing the camera simultaneously, the video quality will be optimised to deliver the best possible viewing result.

PROTECT YOUR PRIVACY AND ONLINE SECURITY

Vtech cares about your privacy and peace of mind. That's why we've put together a list of industry-recommended best practices to help keep your wireless connection private and your devices protected when online. We recommend you carefully review and consider complying with the following tips.

Ensure your wireless connection is secure.

- Before installing a device, ensure your router's wireless signal is encrypted by selecting the "WPA2-PSK with AES" setting in your router's wireless security menu.
- Change default settings.
- Change your wireless router's default wireless network name (SSID) to something unique.
- Change default passwords to unique, strong passwords. A strong password:
 - Is at least 10 characters long.
 - Is complex.
 - Does not contain dictionary words or personal information.
 - Contains a mix of uppercase letters, lowercase letters, special characters and numbers.
- Keep your devices up to date.

- Download security patches from manufacturers as soon as they become available. This will ensure you always have the latest security updates.
- If the feature is available, enable automatic updates for future releases.

Disable Universal Plug and Play (UPnP) on your router.

- UPnP enabled on a router can limit the effectiveness of your firewall by allowing other network devices to open inbound ports without any intervention or approval from you. A virus or other malware program could use this function to compromise security for the entire network.

For more information on wireless connections and protecting your data, please review the following resources from industry experts:

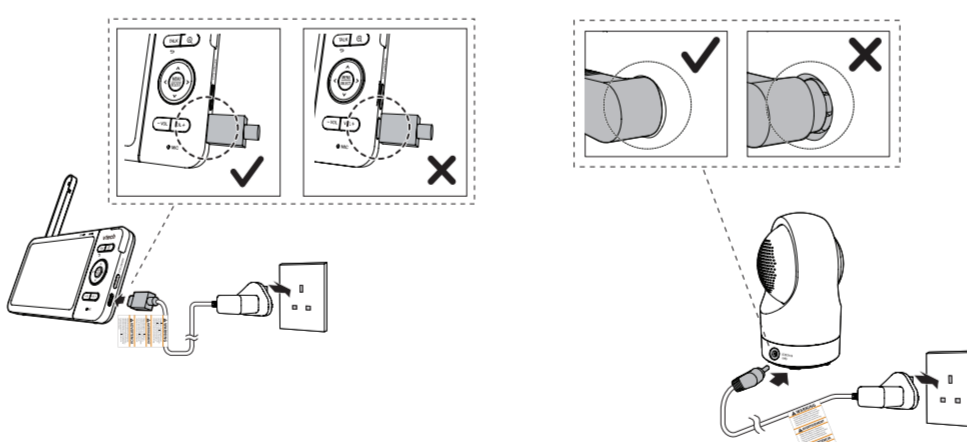
- Federal Communications Commission: Wireless Connections and Bluetooth Security Tips - www.fcc.gov/consumers/guides/how-protect-yourself-online.
- U.S. Department of Homeland Security: Before You Connect a New Computer to the Internet - www.us-cert.gov/ncas/tips/ST15-003.
- Federal Trade Commission: Using IP Cameras Safely - <https://www.consumer.ftc.gov/articles/0382-using-ip-cameras-safely>.
- Wi-Fi Alliance: Discover Wi-Fi Security - <http://www.wi-fi.org/discover-wi-fi-security>.

CONNECT, CHARGE AND POWER ON THE BABY MONITOR

Connect the baby monitor

NOTES

- The rechargeable battery in the parent unit is built-in.
- Use only the power adaptors supplied with this product.
- Make sure the parent unit and the baby unit are not connected to an electronically controlled electric outlet.
- Connect the power adaptors in a vertical or floor mount position only. The adaptor prongs are not designed to hold the weight of the parent unit and the baby unit, so do not connect them to any ceiling, under-the-table, or cabinet outlets. Otherwise, the adaptors may not properly connect to the outlets.
- Make sure the parent unit, the baby unit, and the power adaptor cords are out of reach of children.



Slide the switch to **ON** to power on your baby unit.

NOTES

- When powering up, the baby unit's status LED turns on. It will turn off after a while and stays off.
- The status LED is set to off by default. If you want to keep the LED on, press **MENU**, then go to **Status LED** and turn it on.

NOTE:
Camera lens and surface may get warm during normal operation.

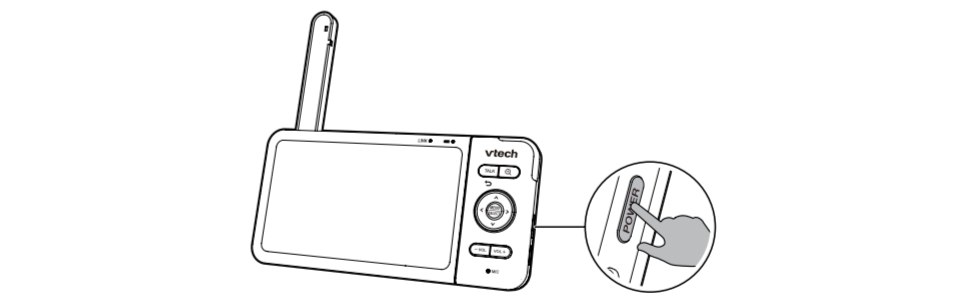
Charge the parent unit battery before use

The parent unit runs on rechargeable battery or AC power. To continuously monitor your baby, keep the parent unit connected to AC power. With the battery alone, the parent unit cordlessly runs for a shorter amount of time.

NOTES

- Before using the baby monitor for the first time, charge the parent unit battery for 12 hours. When the parent unit battery is fully charged, the battery icon becomes solid.
- The standby time varies depending on your actual use.

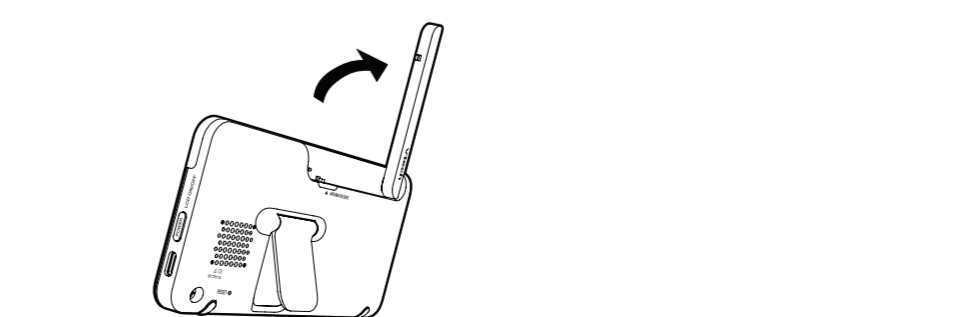
After the parent unit is fully charged, press **POWER** until the welcome screen appears.



The battery icon indicates the battery status (see the following table).

BATTERY INDICATORS	BATTERY STATUS	ACTION
The screen displays and . The light flashes.	The battery has very little power and may only be used for a short time.	Charge without interruption (about 30 minutes).
The battery icon becomes solid .	The battery is fully charged.	To keep the battery charged, connect it to AC power when in use.

Raise the parent unit antenna for better reception



PARENT UNIT ICONS

Main Menu	Options	Status icons
Melodies and soothing sounds	<ul style="list-style-type: none"> Select to play all melodies, or play one of the five melodies and four soothing sounds. You can also set the timer to stop playing after 15, 30 or 60 minutes, or play non-stop. 	<ul style="list-style-type: none"> Direct mode The parent unit and baby unit connect to each other directly. Red bars indicate no connection. Router mode or Auto mode on router connection The parent unit and baby unit connect via the Wi-Fi network. The red icon on the baby unit or parent unit, indicates no connection between the respective unit(s) and the router. Auto mode on direct connection The baby unit and parent unit connect directly, while the baby unit and the app connect via home Wi-Fi network. The red icon on the left of the baby unit indicates no connection to the router. And red bars on the right of the baby unit indicates no connection between parent unit and baby unit.
Alerts - Sound, motion and temperature	<ul style="list-style-type: none"> Turn on/off sound detection, motion detection, and temperature alerts. Select the sound and motion sensitivity level. Turn on/off Auto Wake Up function. Select maximum and minimum temperature for alert range. Set the temperature format to Fahrenheit (°F) or Celsius (°C). 	<ul style="list-style-type: none"> Night vision is turned on. Motion alert is turned on. Sound detection alert is turned on. Melodies and soothing sounds are turned on. Parent unit speaker is muted. Temperature alert is turned on.
Parent unit screen settings	<ul style="list-style-type: none"> Adjust parent unit screen brightness. Turn on/off dim mode. 	
Baby unit settings	<ul style="list-style-type: none"> Turn on/off Night Vision. Turn on/off baby unit's status LED. Adjust baby unit's speaker volume. Update baby unit's security key. 	
General settings	<ul style="list-style-type: none"> Configure Wi-Fi, choose your connection mode, and check your connection status. Turn on/off Parent unit Wi-Fi Connection. Connect mobile phone. Turn on/off Low Battery Alert Tone. Turn on/off No Link Alert Tone. Reset settings to factory default. Software Update. 	

BASIC OPERATION

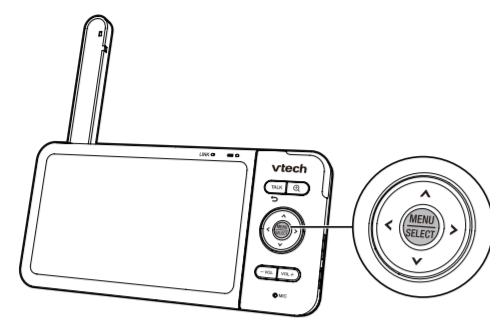
After powering up your video monitor, the parent unit streams live video in direct mode. We recommend you follow the instructions on screen to set up home Wi-Fi network with your monitor for functionality enhancements and mobile access. See **Auto software and firmware update** and **Download app for mobile access** in this quick start guide.

Use the menu

Press **MENU** on the parent unit to enter the main menu, choose a menu item, or save a setting. You can use the parent unit menu for advanced settings or operations, such as to play or stop a lullaby, or adjust the motion and sound detection settings.

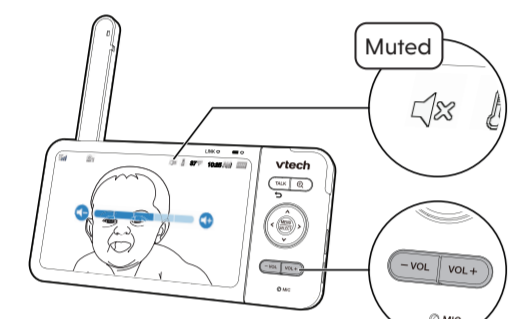
While in the menu:

- Press **▲**, **▼**, **◀** or **▶** to scroll among the menu options.
- Press **SELECT** to select an item.
- Press **TALK** / **↔** to return to the live video.
- Press **ⓘ** to go to the **Help & info** page.



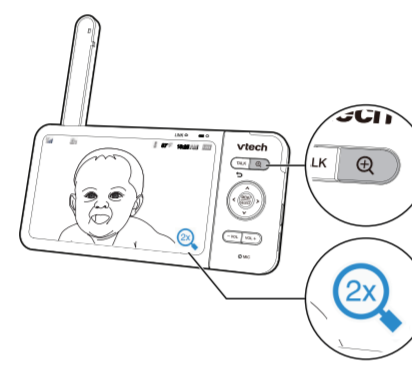
Adjust speaker volume

Press **-VOL** / **VOL+** to adjust your parent unit speaker volume level received from the baby unit.



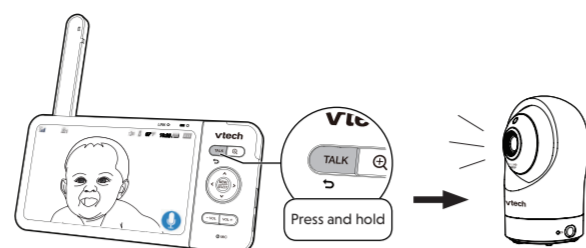
Zoom

Press **Q** to zoom in or out.



Talk to your baby via the baby unit

- Press and hold the **TALK** key.
- When the **🗣️** icon displays on screen, speak to your parent unit. Your voice is transmitted to the baby unit.
- When finished talking, release the **TALK** key and hear your baby again.



Adjust baby unit speaker volume

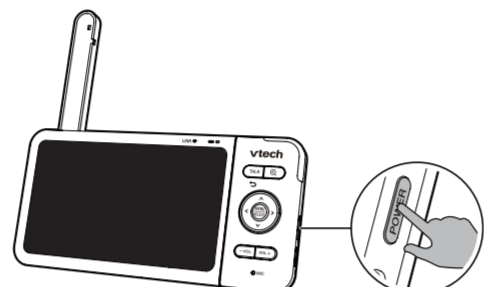
- Press **MENU**.
- Go to **Baby unit settings**.
- Press **▼** to scroll to **Volume**.
- Press **◀** to decrease and **▶** to increase the baby unit's speaker volume.



Turn on/off the parent unit screen

Turn on or off the parent unit screen without powering off the parent unit. You will still hear sounds from the baby unit.

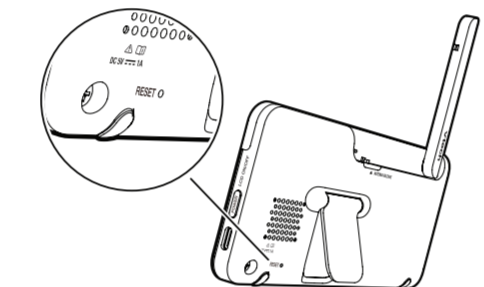
- Press **POWER** on the parent unit to turn off the screen.
- Press any key on the parent unit to turn the screen on again.



TIP

To restore to the default settings or reset the Wi-Fi connection, you can reset the parent unit by pressing the **RESET** key at the back of the unit.

Use a pin and insert it into the hole on the back of the parent unit, and then gently press the button inside.



TEST THE SOUND LEVEL AND POSITION THE HD VIDEO MONITOR

NOTE

- This baby monitor should be for use by adults only.
- It is not a substitute for proper adult supervision, and should not be used as such.

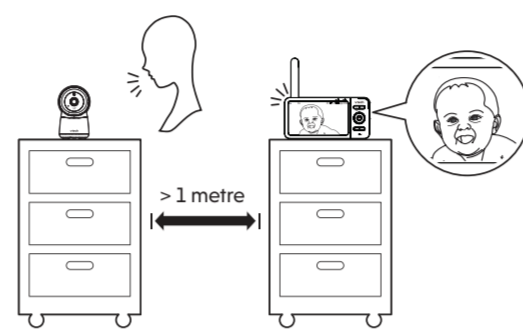
Testing the sound level of the HD video monitor

CAUTION

- For hearing protection, make sure the parent unit is more than 1 metre away from the baby unit. If you hear feedback from the parent unit, move the parent unit further away until the noise stops. You can also press **-VOL** on the parent unit to lower or mute the noise.

TIP

- Increase the parent unit speaker volume if you cannot hear the sounds transmitted from the baby unit.

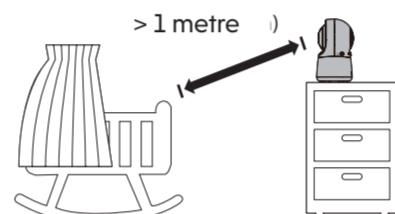


Positioning the HD video monitor

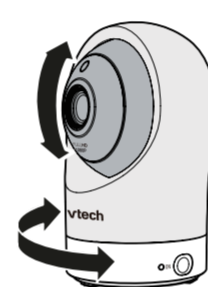
CAUTION

- Keep the baby unit out of the reach of your baby. Never place or mount the baby unit inside the baby's cot or playpen.

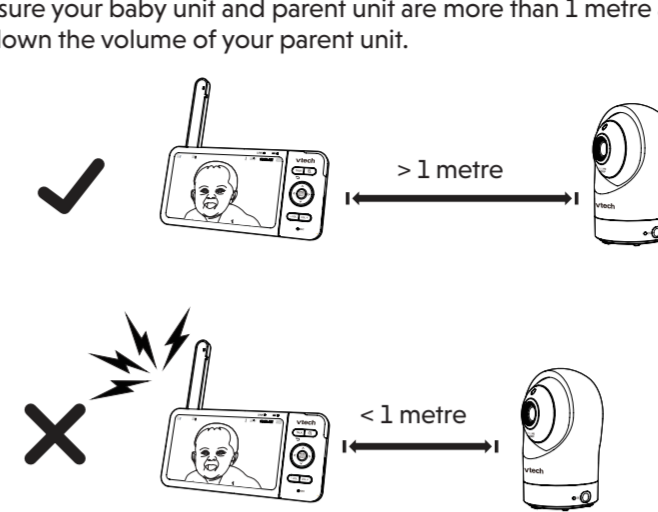
- Place the baby unit more than 1 metre away from your baby.



- Adjust the angle of the baby unit to aim at your baby.



- To avoid causing feedback from your HD video monitor:
 - Make sure your baby unit and parent unit are more than 1 metre apart; OR
 - Turn down the volume of your parent unit.



AUTO SOFTWARE AND FIRMWARE UPDATE

Connect your HD video monitor with home Wi-Fi network

You must connect your video monitor to your secured home Wi-Fi network in order to receive the latest software and firmware updates. To set Wi-Fi up, go to:

- Configure Wi-Fi**, select your Wi-Fi network and enter the password.

Note

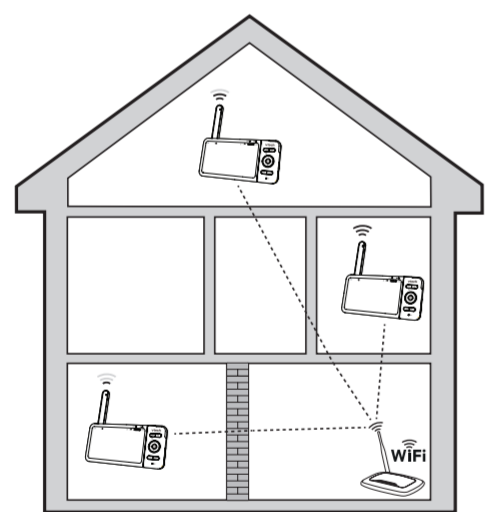
- Make sure the Baby Unit is on when you set up the Wi-Fi network.

Update the software

After connecting the system to your Wi-Fi network, the software will update every 4 hours. The Baby Unit will update automatically. The Parent Unit will prompt a message when the update is completed. Select "Now" to reboot the Parent Unit, or switch off and on the Parent Unit later to reboot the system into the latest software.

TEST THE LOCATION FOR THE BABY UNIT

If you plan to install your baby unit in a designated location, and use your home Wi-Fi network to connect your video monitor, you need to test which of your selected monitoring areas within the house have good Wi-Fi signal strength. After you have powered on your parent unit, you can use your parent unit's Wi-Fi signal strength indicator to assist in checking. Once you have identified the suitable location, you can install your baby unit. Adjust the distance between your baby unit and the Wi-Fi router if needed.



TIP

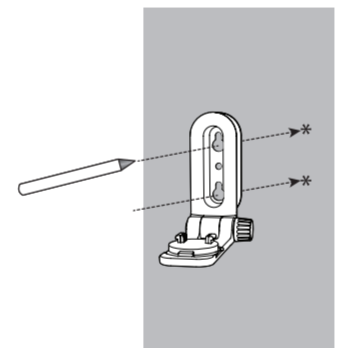
- Depending on surroundings and obstructing factors that affect signal strength, such as distance and internal walls, you may experience reduced Wi-Fi signal. To improve the Wi-Fi signal strength, adjust the distance or direction of your parent unit. Check with your parent unit again.

MOUNT THE BABY UNIT (OPTIONAL)

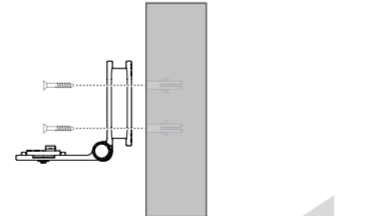
NOTES

- Check for reception strength and baby unit angle before drilling the holes.
- The types of screws and wall plugs you need depend on the composition of the wall. You may need to purchase the screws and wall plugs separately to mount your baby units.

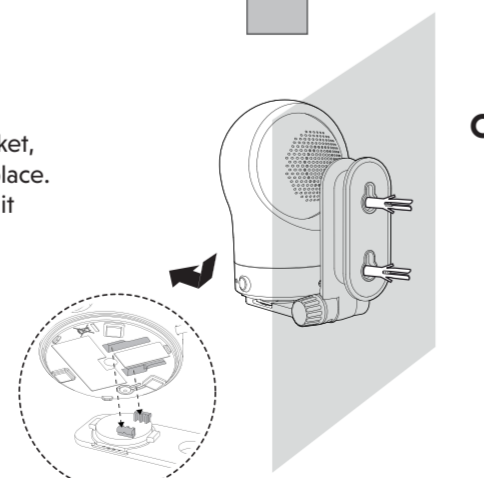
- Place the wall mount bracket on a wall and then use a pencil to mark two holes in parallel. Remove the wall mount bracket and drill two holes in the wall (5.5mm drill bit).



- Align the wall mount bracket and screws with the holes in the wall as shown. Tighten the screw in the middle hole first, so that the wall mount bracket position is fixed. You can tighten the other screw in the top hole.

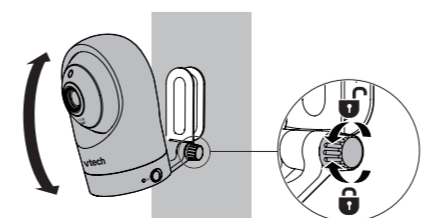
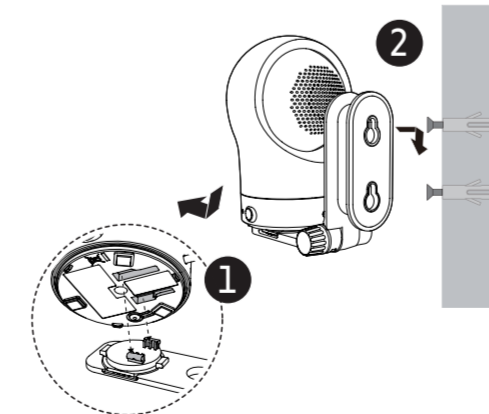


- Place the baby unit on the wall mount bracket, and then slide it forward until it locks into place. Connect the power adaptor to the baby unit and a power supply.



OR

- You can maximise your baby unit's viewing angles by tilting the wall mount bracket. Hold the baby unit, and then rotate the knob in an anticlockwise direction. This will loosen the joint of the wall mount bracket. Tilt your baby unit up or down to adjust to your preferred angle. Then, rotate the knob in a clockwise direction to tighten the joint and secure the angle.



CUSTOMER SERVICE AND PRODUCT WARRANTY



PRODUCT WARRANTY

Thank you for choosing this quality product from VTech.

- The product detailed above is covered by a one year warranty from the date of purchase, against any defects in materials or workmanship.
- The product may be returned to the place of purchase. Alternatively the product can be returned to VTech Electronics Europe Plc (see address below), with proof of purchase, without proof of purchase no replacement will be provided.
- VTech Electronics Europe Plc will examine the product and if it is found to be defective due to faulty materials or workmanship, will replace the product at their discretion.
- If the product covered by this warranty is damaged due to misuse, modification or unauthorized repair, or because of faulty batteries, battery discharge or incorrect electrical connections, then this warranty becomes void.
- This warranty is personal to the original purchaser and is not transferable.
- Breakages to the LCD screen are not covered by the warranty.
- Returns to VTech Electronics Europe Plc should include a cheque or postal order for £1.50 towards the cost of return postage and packaging.
- Products returned to VTech Electronics Europe Plc, should be addressed as follows and packed carefully to avoid damage in transit (Please do not include batteries or adaptor). Please include details of the fault together with your name and address.
- To keep an online record of your warranty, please register your product online at www.vtech.co.uk/club/vtech.

VTech Electronics Europe Plc, c/o XPO Logistics, Warehouse 350, Cat & Fiddle Lane, West Hallam, DE7 6HE.
THIS WARRANTY IS OFFERED AS AN EXTRA BENEFIT AND DOES NOT AFFECT CONSUMERS' STATUTORY RIGHTS.

This warranty is valid for the UK and Ireland only. For products purchased outside the UK and Ireland, please contact your local distributor or place of purchase.

IMPORTANT

Please retain this booklet with your sales receipt as proof of the date of purchase.

Customer Service

Please visit www.vtechphones.eu to contact our Customer Service Department.

GENERAL PRODUCT CARE

To keep this product working well and looking good, follow these guidelines:

- Avoid placing it near heating appliances and devices that generate electrical noise (for example, motors or fluorescent lamps).
- DO NOT expose it to direct sunlight or moisture.
- Avoid dropping the product or treating it roughly.
- Clean with a soft damp cloth.
- DO NOT immerse the parent unit and the baby unit in water and do not clean them under running water.
- DO NOT use cleaning spray or liquid cleaners.
- Make sure the parent unit and the baby unit are dry before you connect them to the mains again.
- Clean the USB charging port of dust, dirt, and lint regularly.

DOWNLOAD APP FOR MOBILE ACCESS

- You can download the free **MyVTech Baby Pro** mobile app and install it to a mobile device, then use your mobile device and the mobile app to monitor your areas remotely.



- Press **MENU** when the parent unit is idle.
- Go to **Settings** > **Connect Mobile Phone**.
- Scan the QR code in the parent unit to download the app into your mobile device.
- Follow the instructions in the mobile app to set up and pair your baby unit to the mobile app.

Alternatively, you can download the mobile app from the App Store or Google Play store.

Install MyVTech Baby Pro mobile app

- Browse the App Store or the Google Play store.
- Search for the mobile app with the keyword "MyVTech Baby Pro".
- Download and install the **MyVTech Baby Pro** mobile app to your mobile device.

OR

Scan the QR code on the right to get the app.

Note

- Make sure your mobile device meets the minimum requirement for the mobile app.



Minimum requirement

The mobile app is compatible with:

- Android™ 5.0 or later; and
- iOS 11.0 or later.

- After installing the mobile app, follow the instructions in the mobile app and parent unit to set up and pair your baby unit.

In your mobile device:

- Tap **📱** to run the mobile app in your mobile device, and then create a user account.
- We recommend that you use common webmail services, such as Google Gmail, for the registration of your user account. Check your email (and Spam folder), and activate your new user account via the email link. Then, sign in to your account.
- Follow the instructions in the mobile app to pair the camera. Tap **📷**, then **Add Camera** in the mobile app to get started.

DECLARATION OF CONFORMITY

This product is intended for use within Europe and UK. This equipment complies with the essential requirements to EU's Radio Equipment Directive (2014/53/EU) and the UK's Radio Regulations 2017 on radio systems and telecommunication equipment.

VTech Telecommunications Ltd. hereby declares that this 5" Smart Wi-Fi 1080p Pan and Tilt Monitor RM5764HD is in compliance with the essential requirements and other relevant provisions of EU's Radio Equipment Directive (2014/53/EU) and UK's Radio Equipment Regulations 2017.

The Declaration of Conformity for the RM5764HD is available from www.vtechbabycare.com.



DISPOSAL OF BATTERIES AND PRODUCT

The crossed-out wheeled bin symbols on products and batteries, or on their respective packaging, indicates they must not be disposed of in domestic waste as they contain substances that can be damaging to the environment and human health.

The chemical symbols Hg, Cd or Pb, where marked, indicate that the battery contains more than the specified value of mercury (Hg), cadmium (Cd) or lead (Pb) set out in Battery Directive (2006/66/EC).

The solid bar indicates that the product was placed on the market after 13th August, 2005. Help protect the environment by disposing of your product or batteries responsibly.

TECHNICAL SPECIFICATIONS

Frequency control	Crystal controlled PLL synthesizer
Transmit frequency	Baby unit: 2412 - 2472 MHz Parent unit: 2412 - 2472 MHz Maximum power used by the transmitter: 0.1W (100mW)
Channels	13
LCD	5" Colour LCD (IPS 1280x720 pixels)
Nominal effective range	Actual operating range may vary according to environmental conditions at the time of use.
Power requirements	Parent unit: 3.8V 2100mAh Li-ion battery Baby unit power adaptor: Output: 5V DC @ 1A Parent unit power adaptor: Output: 5V DC @ 1A

Credits:
The Background Noise sound file was created by Caroline Ford, and is used under the Creative Commons license.
The Stream Noise sound file was created by Caroline Ford, and is used under the Creative Commons license.
The Crickets At Night sound file was created by Mike Koenig, and is used under the Creative Commons license.
The Heart Beat sound file was created by Zarahadus, and is used under the Creative Commons license.

Android™ and Google Play™ are trademarks of Google Inc.
App Store is a trademark of Apple Inc., registered in the U.S. and other countries.
iOS is a trademark or registered trademark of Cisco in the U.S. and other countries and is used under license.

Manufacturer: VTech Telecommunications Ltd.
23/F., Tai Ping Industrial Centre, Block 1, 57 Ting Kok Road, Tai Po, Hong Kong.
Importer: VTech Electronics Europe Plc.
Napier Court, Abingdon Science Park, Abingdon, Oxon, OX14 3YT.