

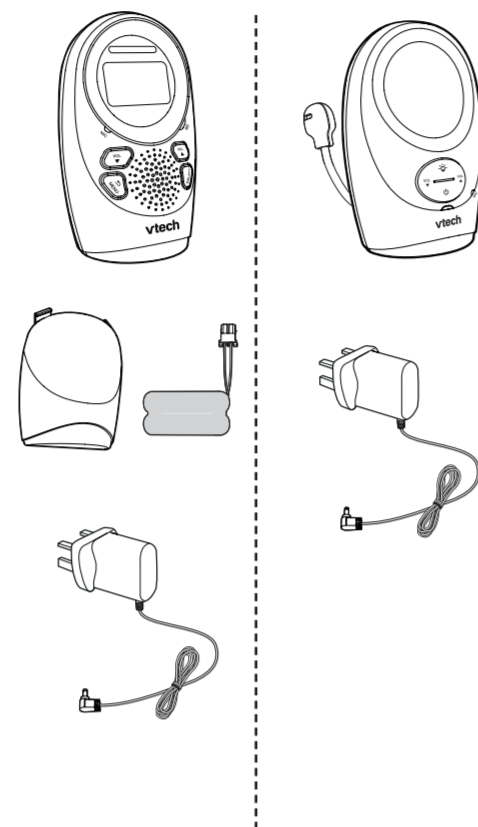
DM1211
Digital Audio Monitor

Congratulations

on purchasing your new VTech product. Before using this product, please read **Important safety instructions**.

This manual has all the feature operations and troubleshooting necessary to install and operate your new VTech product. Please review this manual thoroughly to ensure proper installation and operation of this innovative and feature rich VTech product.

What's in the box

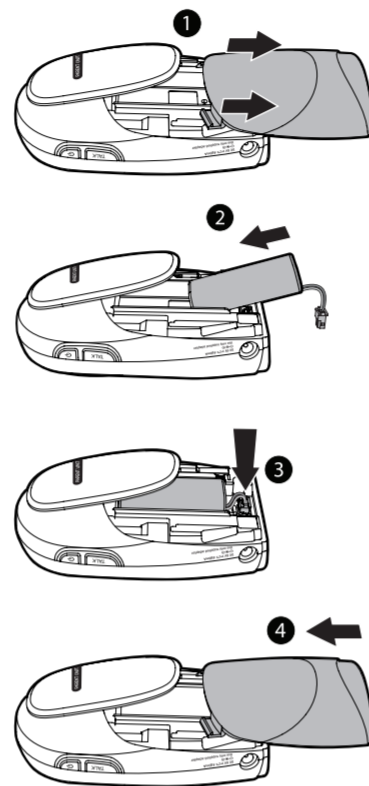


Install the battery

The parent unit runs on rechargeable battery or AC power. To continuously monitor your baby, make sure you use both battery and AC power at the same time. With the battery alone, the parent unit can cordlessly run for a short time only.

- NOTES**
- Use only the battery supplied with this product.
 - If the parent unit will not be used for a long time, disconnect and remove the battery to prevent possible leakage.

Install the battery as shown below.



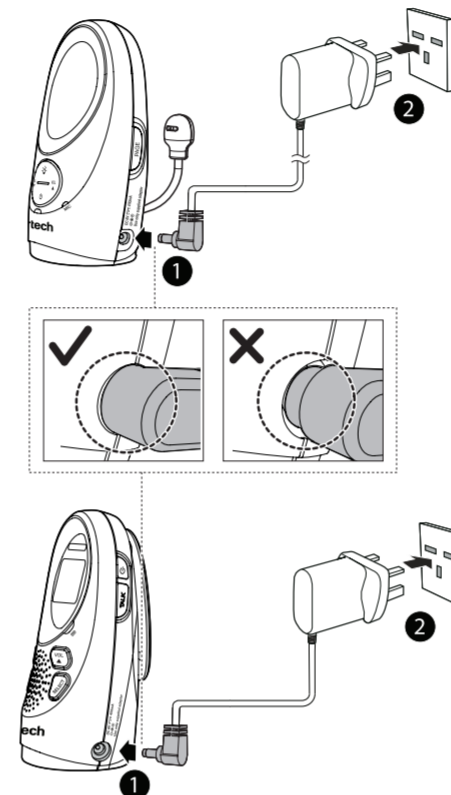
Replace the battery

To replace the battery, unplug the battery connector from the socket, and then pull the battery out of the battery compartment. Follow the steps above to install the battery.

Connect and charge the battery

- NOTES**
- Use only the power adaptors supplied with this product.
 - Make sure the electrical outlets are not controlled by wall switches.
 - The power adaptors are intended to be correctly oriented in a vertical or floor mount position. The prongs are not designed to hold the plug in place if it is plugged into a ceiling, under-the-table or cabinet outlet.
 - Make sure the parent unit, the baby unit and the power adaptor cords are out of reach of children.

Connect the baby monitor



Charge the parent unit battery

When you have connected the parent unit and installed its battery for the first time, it powers on automatically. The battery icon indicates the battery status (see the following table).

- NOTES**
- The parent unit battery is fully charged after 16 hours of continuous charging.
 - It takes longer to charge the battery when the parent unit is turned on. To shorten the charging time, turn the parent unit off while charging.
 - The standby time varies depending on the sensitivity level you set, your actual use, and the age of the battery.

Battery indicators	Battery status	Action
The battery icon is off.	No battery is installed but operates using AC power.	Install the parent unit battery. Charge without interruption (at least 30 minutes).
The screen displays LOW BATTERY and . The flashes.	The battery has very little charge and may be used for only a short time.	Charge without interruption (about 30 minutes).
The battery icon becomes solid .	The battery is fully charged.	To keep the battery charged, connect it to power socket when not in use.

Before use

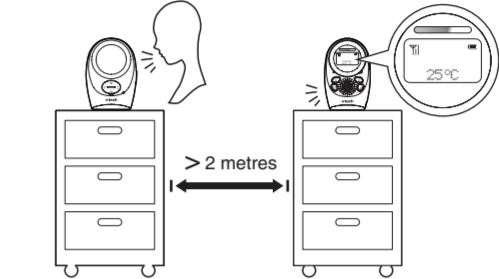
- NOTES**
- This baby monitor should be for use by adults only.
 - It is not a substitute for proper adult supervision, and should not be used as such.

Test your audio monitor

You may test the baby monitor before initial use, and at regular times thereafter.

- CAUTION**
- For hearing protection, make sure the parent unit is more than 6.5 feet (2 metres) away from the baby unit. If you hear any feedback, move the parent unit further until the noise stops. You can also press on the parent unit to lower or mute the noise.

1. Make sure your baby unit and parent unit



are on.
2. Speak towards the microphone of the baby unit. You will hear the sound at the parent unit, and see the visual sound indicators light up.

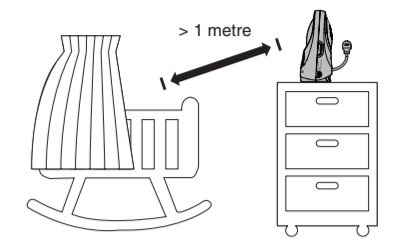
- NOTE**
- When the parent unit displays **NOT LINKED** and flashes, move the parent unit closer to the baby unit (observe the minimum distance of 6.5 feet/ 2 metres). You can also check if the baby monitor is connected to a live power socket and switched on.

- TIP**
- Increase the speaker volume of the parent unit if you cannot hear the sounds transmitted from the baby unit.

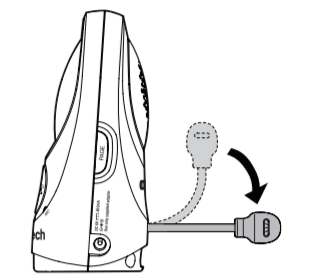
Positioning the baby monitor

- CAUTION**
- Keep the baby unit out of the reach of the baby. Never place or mount the baby unit inside the baby's cot or playpen.

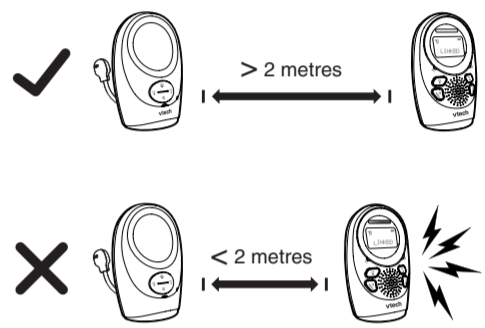
1. Place the baby unit more than 3 feet (1 metre) away from your baby.



2. Bend down the temperature sensor so that it stays away from baby unit to avoid deviation of temperature detection.



3. Place the parent unit more than 6.5 feet (2 metres) away from the baby unit.



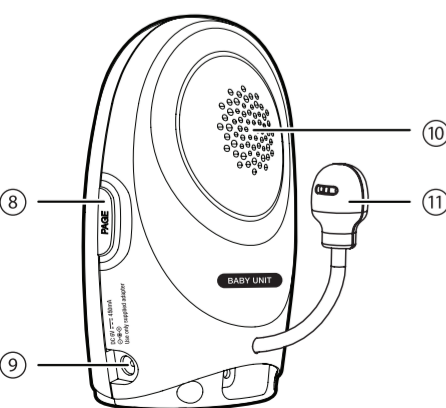
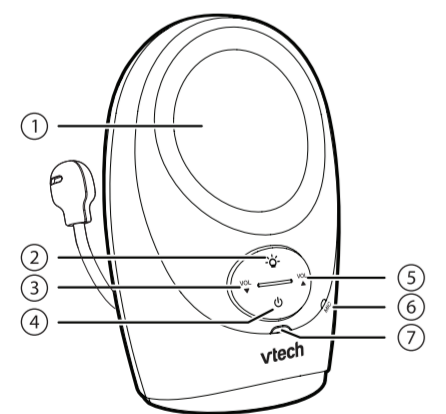
- CAUTION**
- The default volume of your parent unit is level 3. If you experience feedback from your baby monitor while positioning:
 - Make sure your baby unit and parent unit are more than 6.5 feet (2 metres) apart, OR
 - Turn down the volume of your parent unit.

Operating range

The operating range of the baby monitor is up to 1,500 feet (450 metres) outdoors or 160 feet (50 metres) indoors. The actual operating range may vary depending on the environmental conditions, and other interferences such as walls, doors, and other obstructions.

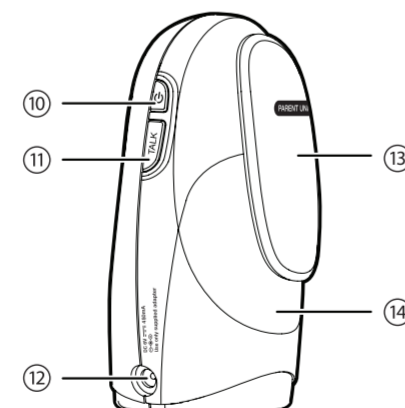
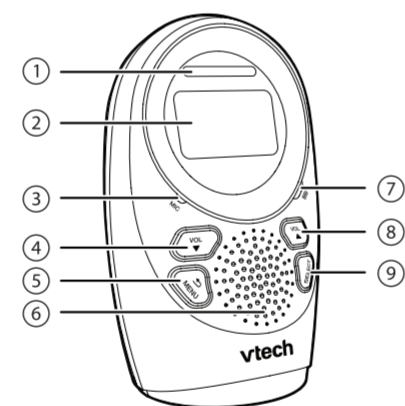
Overview

Baby unit overview



1	Night light <ul style="list-style-type: none"> On when night light is turned on manually. Off when night light is turned off manually.
2	<ul style="list-style-type: none"> Press to turn the night light on or off.
3	VOL <ul style="list-style-type: none"> Press to decrease the speaker volume.
4	(On/off) <ul style="list-style-type: none"> Press to power on, and the power light turns on. Press and hold to power off, and the power light turns off.
5	VOL <ul style="list-style-type: none"> Press to increase the speaker volume.
6	Microphone
7	POWER light <ul style="list-style-type: none"> On when the baby unit is turned on.
8	PAGE <ul style="list-style-type: none"> Press to start or stop paging parent unit.
9	Power jack
10	Speaker
11	Temperature sensor <ul style="list-style-type: none"> The parent unit beeps when the detected temperature is at the alert temperature values. Low limit value is 20°C and high limit value is 30°C.

Parent unit overview



1	Visual sound indicator The visual sound indicator shows the sound level detected by the baby unit. <ul style="list-style-type: none"> One to three green lights indicate a moderate sound level detected by the baby unit. Additional red lights indicate a higher sound level detected by the baby unit (e.g. baby crying loudly).
2	LCD display
3	Microphone

4	VOL <ul style="list-style-type: none"> Press to decrease the speaker volume. Press repeatedly until the volume reaches the minimum to turn it off. While in a menu, press to scroll down.
5	MENU <ul style="list-style-type: none"> Press to enter the menu. While in a menu, press to return to the previous menu.
6	Speaker
7	Battery LED <ul style="list-style-type: none"> Light on when the battery is being charged. Light flashes when the battery is low and needs charging. Light off when the parent unit is running on AC power without battery installed, or the parent unit is running on battery only.
8	VOL <ul style="list-style-type: none"> Press to increase the speaker volume. While in a menu, press to scroll up.
9	SELECT <ul style="list-style-type: none"> While in a menu, press to choose an item, or save a setting.
10	(On/off) <ul style="list-style-type: none"> Press and hold to power on, the screen turns on. Press and hold again to power off, the screen turns off. While in a menu, press to return to idle screen.
11	TALK <ul style="list-style-type: none"> Press and hold to talk to the baby.
12	Power jack
13	Belt clip
14	Battery compartment cover

Parent unit status icons

	Connection status <ul style="list-style-type: none"> displays when strong signal strength is detected between the baby unit and the parent unit. displays when moderate signal strength is detected between the baby unit and the parent unit. displays when the weak signal strength is detected between the baby unit and the parent unit. flashes when the link between the baby unit and the parent unit is lost.
	Night light <ul style="list-style-type: none"> On when the night light is turned on.
	Lullaby <ul style="list-style-type: none"> Displays when the baby unit is playing lullaby.
	Sound alert <ul style="list-style-type: none"> Displays when the sound alert of the parent unit is turned on. Flashes when there are loud sounds detected from the baby unit.
	Vibration alert <ul style="list-style-type: none"> Displays when the vibration alert of the parent unit is turned on. Flashes when there are loud sounds detected from the baby unit.
	Volume off <ul style="list-style-type: none"> Displays when the parent unit speaker volume is turned off.
	Battery status <ul style="list-style-type: none"> animates when the battery is charging. displays solid when the battery is fully charged. flashes when the battery is in low level and needs charging. No battery icon displays when there is no battery installed.

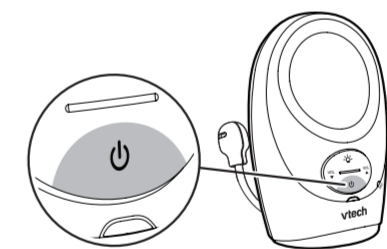
Parent unit display screen messages

LOW BATTERY	The parent unit uses only the rechargeable battery pack and it needs to be recharged.
NOT LINKED	The link between the parent unit and the baby unit is lost continuously for over 10 seconds.
PAGING	The parent unit is being paged by the baby unit.
SAVED	Your selection has been saved.
TALK	You are using the parent unit to talk to your baby.
°C	Displays the real-time temperature detected by the baby unit in Celsius (°C) (e.g. 22 °C).

Using the baby monitor

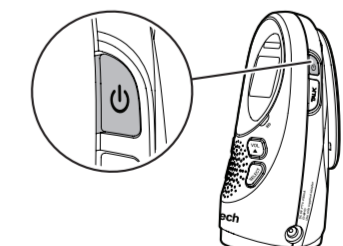
Power on or off the baby unit

- Press to power on the baby unit. The power light turns on.
- Press and hold to power off the baby unit. The power light turns off.



Power on or off the parent unit

- Press and hold to power on the parent unit. The screen turns on.
- Press and hold again to power off the parent unit. The screen turns off.



- NOTE**
- The parent unit powers on automatically once it is connected to power socket or battery installed. The baby unit also powers on automatically once connected to power socket.

Adjust the speaker volume for baby unit

- Press on the baby unit at any time.

Adjust the speaker volume for baby unit using parent unit

You can also adjust baby unit's speaker volume in the parent unit. **Level 1** is the softest while **Level 5** is the loudest.

1. Press when the parent unit is not in use.

2. Press to choose **BABY VOLUME**, then press **SELECT**.
3. Press to choose the desired volume level, then press **SELECT** to confirm your selection. The screen displays **SAVED** and you hear a confirmation tone.

- NOTE**
- The speaker of baby unit cannot be muted.

Adjust the speaker volume for parent unit

You can adjust the speaker volume from **VOLUME 1** to **VOLUME 5**, or turn it off. The speaker volume is preset to **VOLUME 3**.

- Press when the parent unit is not in use.

When the speaker volume is set to **VOLUME OFF**, the screen displays .

Set default

Use this feature to restore to the default settings.

- Press when the parent unit is not in use.
- Press to choose **RESET**, then press **SELECT**.
- Press **SELECT** again to choose **CONFIRM?**

Vibration alert

You can set your parent unit to vibrate and alert you, whenever the baby unit detects loud sounds. This feature is preset to **OFF**.

Once this feature is on, is shown on LCD display. When the visual sound indicator hits the red light range, i.e. the baby unit detects loud sounds, your parent unit vibrates and flashes.

- Press when the parent unit is not in use.
- Press to choose **VIBRATOR**, then press **SELECT**.
- Press to choose **ON?** or **OFF?**
- Press **SELECT** to confirm your selection. The screen displays **SAVED** and you hear a confirmation tone.

- NOTE**
- Each time you set the vibration alert to **ON?**, the parent unit vibrates briefly after you press **SELECT**.

