

Go to [www.vtech.co.uk](http://www.vtech.co.uk) to register your product for warranty support.

## VM5261

Full Colour Video Monitor with Wide-angle Lens



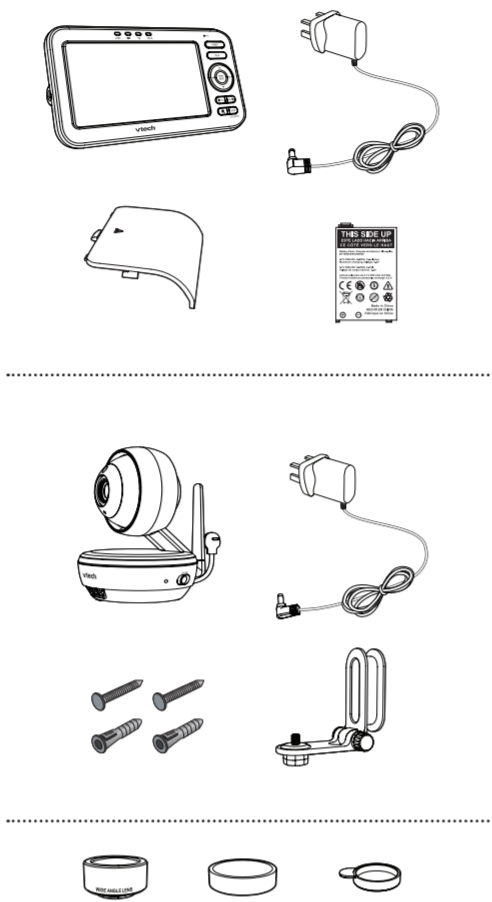
**vtech**<sup>®</sup>  
User's manual

## Congratulations

on purchasing your new VTech product. Before using this product, please read **Important safety instructions**.

This manual has all the feature operations and troubleshooting necessary to install and operate your new VTech product. Please review this manual thoroughly to ensure proper installation and operation of this innovative and feature rich VTech product.

## What's in the box



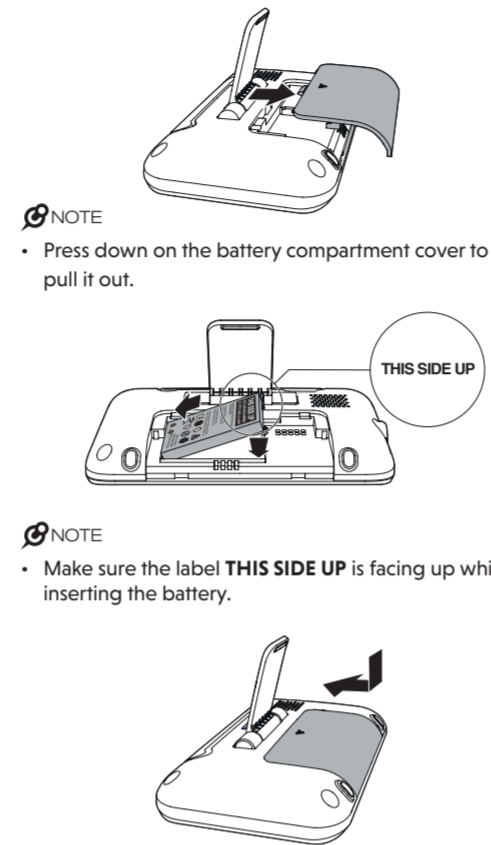
## Install the battery

The parent unit runs on rechargeable battery or AC power. To continuously monitor your baby, make sure you use both battery and AC power at the same time. With the battery alone, the parent unit can cordlessly run for a short time only.

### NOTES

- Use only the battery supplied with this product.
- If the parent unit will not be used for a long time, disconnect and remove the battery to prevent possible leakage.

Install the battery as shown below.



## Replace the battery

To replace the battery, pull out the battery compartment cover, and then lift up the battery. Follow the steps above to install the new battery.

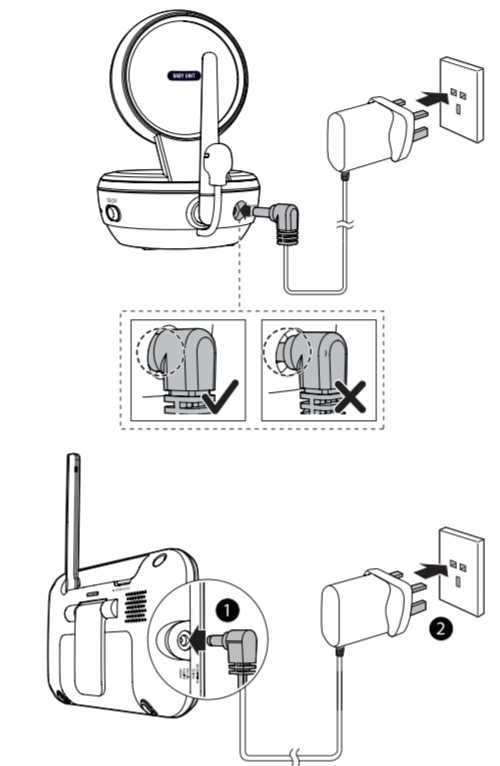
## Connect and charge the battery

### NOTES

- Use only the power adaptors supplied with this product.
- Make sure the electrical outlets are not controlled by wall switches.
- The power adaptors are intended to be correctly oriented in a vertical or floor mount position. The tips are not designed to hold the plug in place if they are plugged into a ceiling, under-the-table or cabinet outlet.
- Make sure the parent unit, the baby unit and the power adaptor cords are out of reach of children.

**IMPORTANT**  
To maximize the life of the parent unit's battery, we recommend you fully charge the battery as instructed, before using the video monitor for the first time.

## Connect the baby monitor



## Charge the parent unit battery

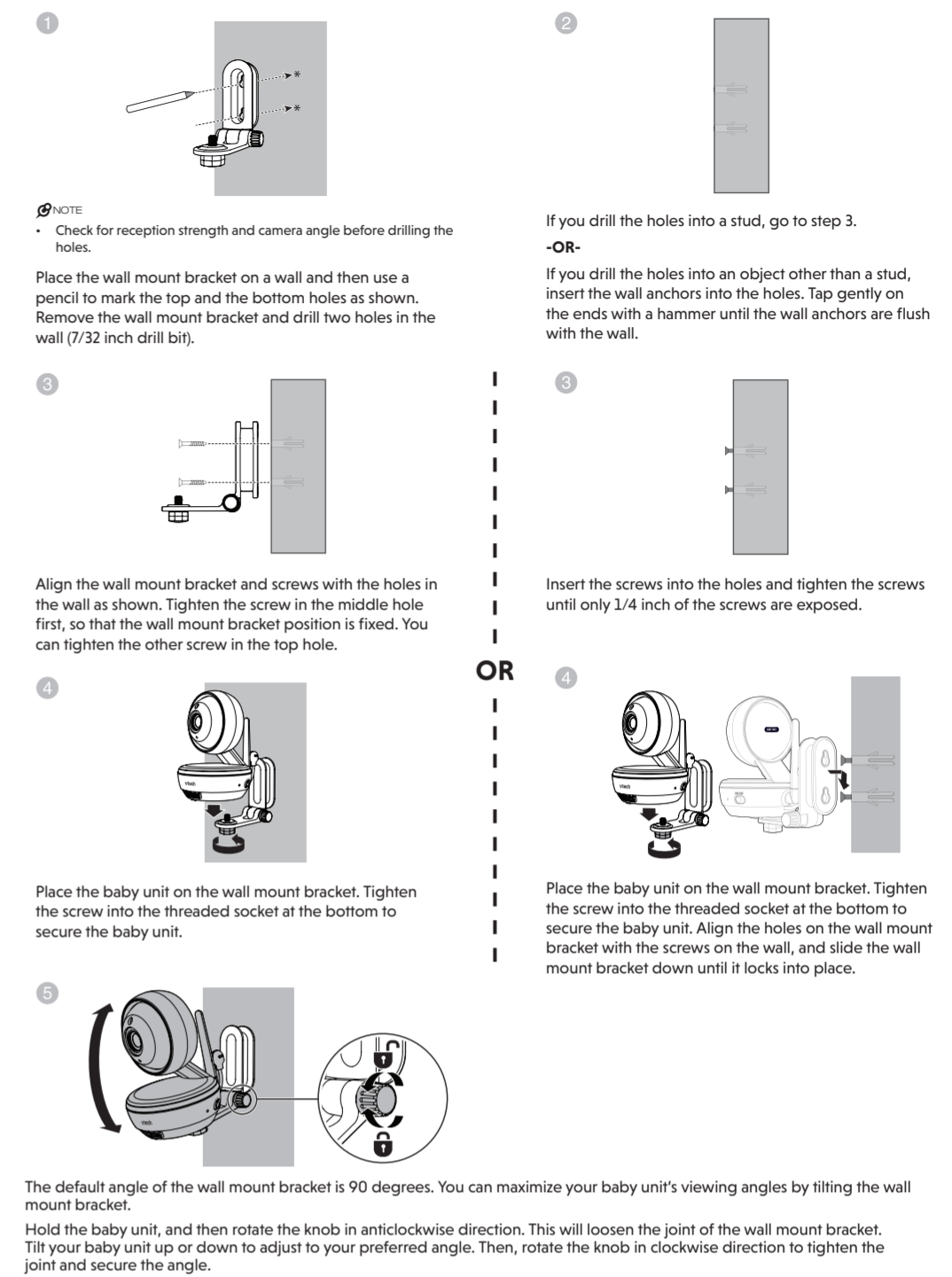
When you have connected the parent unit and installed its battery for the first time or after power outage, the parent unit powers on automatically. The battery icon indicates the battery status (see the following table).

### NOTES

- The parent unit battery is fully charged after 3 hours of continuous charging.
- It takes longer to charge the battery when the parent unit is turned on. To shorten the charging time, turn the parent unit off while charging.
- The standby time varies depending on the volume level you set, your actual use and the age of the battery.

Battery indicators	Battery status	Action
The battery icon is off and displays.	No battery is installed but operates using AC power, or the battery has been installed incorrectly.	Install the parent unit battery. Charge without interruption (at least 30 minutes).
The screen displays <b>Battery low at Parent Unit</b> and the light flashes.	The battery has very little charge and may be used for only a short time.	Charge without interruption (about 30 minutes).
The battery icon becomes solid.	The battery is fully charged.	To keep the battery charged, connect it to AC power when not in use.

## Mount the baby monitor (optional)



The default angle of the wall mount bracket is 90 degrees. You can maximize your baby unit's viewing angles by tilting the wall mount bracket. Hold the baby unit, and then rotate the knob in anticlockwise direction. This will loosen the joint of the wall mount bracket. Tilt your baby unit up or down to adjust to your preferred angle. Then, rotate the knob in clockwise direction to tighten the joint and secure the angle.

## Before use

### NOTE

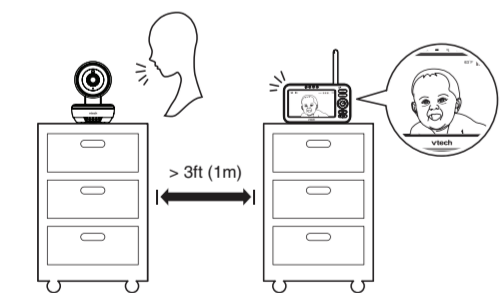
- This baby monitor is intended as an aid. It is not a substitute for proper adult supervision, and should not be used as such.

## Test your baby monitor

You may test the baby monitor before initial use, and at regular times thereafter.

### CAUTION

- For hearing protection, make sure the parent unit is more than 3 feet (1 metre) away from the baby unit. If you hear any high-pitched noise, move the parent unit further until the noise stops. You can also press **VOL/-** on the parent unit to lower or mute the noise.



- Make sure your baby unit and parent unit are on.
- The parent unit displays images from the baby unit.
  - Speak towards the microphone of the baby unit. You will hear the sound at the parent unit.

### NOTE

- When the parent unit displays and then (# represents the baby unit number), and the **LINK** LED light flashes, move the parent unit closer to the baby unit (observe the minimum distance of 3 feet/ 1 metre). You can also check if the baby monitor is connected to a live power socket and switched on.

### TIP

- Increase the speaker volume of the parent unit if you cannot hear the sounds transmitted from the baby unit.

## Positioning the baby monitor

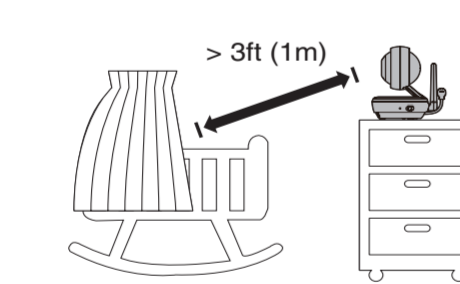
### CAUTION

- Keep the baby unit out of reach of your baby. Never place or mount the baby unit inside the baby's cot or playpen.

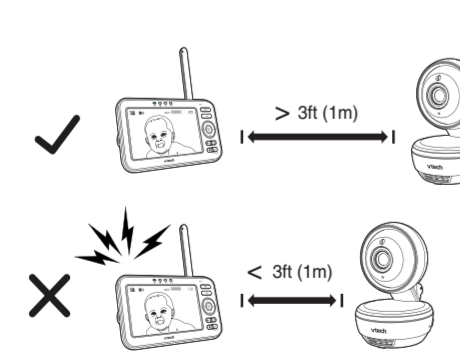
### NOTE

- To avoid interference from other electronic devices, place your baby monitor far away from devices such as wireless routers, microwaves, cell phones and computers.

- Place the baby unit more than 3 feet (1 metre) away from your baby.



- Place the parent unit more than 3 feet (1 metre) away from the baby unit.



### CAUTION

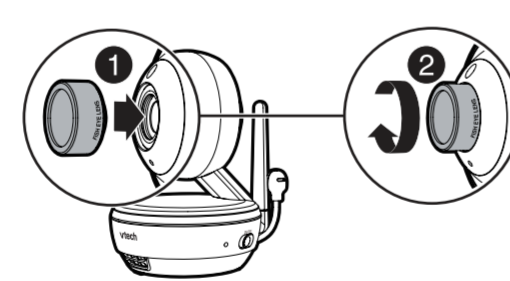
- The default volume of your parent unit is level 4, and the maximum volume is level 7. If you experience high-pitched screeching noise from your baby monitor while positioning:
  - Make sure your baby unit and parent unit are more than 3 feet (1 metre) apart, OR
  - Turn down the volume of your parent unit.

## Operating range

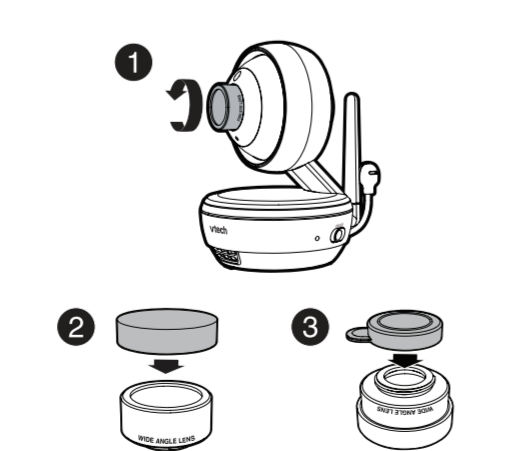
The operating range of the baby monitor is up to 1,000 feet (300 metres) outdoors or 160 feet (50 metres) indoors. The actual operating range may vary depending on the environmental conditions and other interferences such as walls, doors and other obstructions.

## Install the lens (optional)

The wide-angle lens provided allows you to view more of your baby's room from the parent unit screen. Install the wide-angle lens onto the baby unit camera as shown below.



## Remove the lens

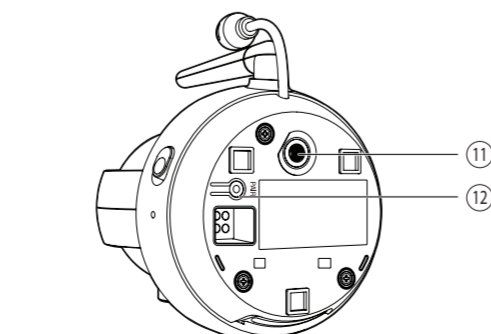
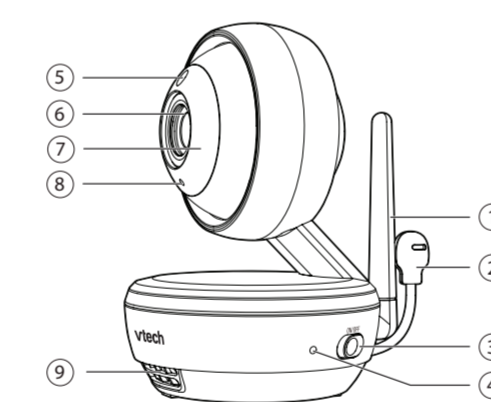


### NOTE

- When the lens is not in use, cover both sides of the lens with the lens covers provided to avoid scratches.

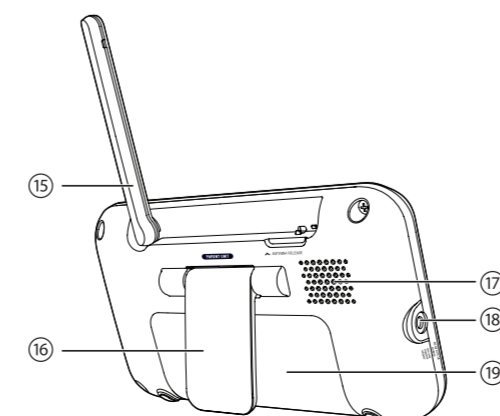
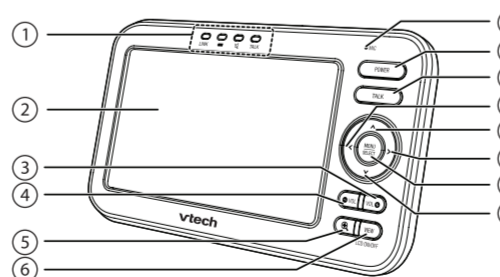
## Overview

### Baby unit overview



1	Antenna
2	Temperature sensor
3	ON/OFF switch • Slide to turn on or off the baby unit.
4	ON/OFF LED light • On when the baby unit is turned on. • Flashes when the baby unit is not being viewed; or when the link to the parent unit is lost.
5	Light sensor
6	Camera
7	Infrared LEDs
8	Microphone
9	Speaker
10	Power jack
11	Threaded socket
12	PAIR • Your baby unit and parent unit provided are already paired.

### Parent unit overview



1	LED lights • Indicate the different statuses of the parent unit. For details, refer to <b>Parent unit lights</b> .
2	LCD display
3	VOL + • Press to increase the parent unit speaker volume.
4	VOL - • Press to decrease the parent unit speaker volume.
5	Zoom • Press to zoom in or out.
6	VIEW • Press to view the image of the baby unit. <b>LCD ON/OFF</b> • Press and hold to turn off the parent unit screen.
7	Microphone
8	POWER • Press and hold to power on. • Press and hold again to power off.
9	TALK • Press and hold to talk to the baby unit.
10	• While in a menu, press to return to the main menu or idle screen. • Press and hold to move the baby unit camera leftward. • While viewing zoomed image, press and hold to move the zoomed image leftward.
11	• While in a menu, press to scroll up. • Press and hold to move the baby unit camera upward. • While viewing zoomed image, press and hold to move the zoomed image upward.
12	• While in a menu, press to choose an item. • Press and hold to move the baby unit camera rightward. • While viewing zoomed image, press and hold to move the zoomed image rightward.

13	MENU/SELECT • Press to enter the menu. • While in a menu, press to choose an item, or save a setting.
14	• While in a menu, press to scroll down. • Press and hold to move the baby unit camera downward. • While viewing zoomed image, press and hold to move the zoomed image downward.
15	Antenna
16	Stand
17	Speaker
18	Power jack
19	Battery compartment cover

### Parent unit lights

LINK	• On when the parent unit is linked to the baby unit. • Flashes when the link to the baby unit is lost.
	• On when the parent unit is connected to AC power, or the battery is charging. • Flashes when the parent unit battery is low and needs charging. • Off when the parent unit is disconnected from AC power.
	It turns on: • When the speaker volume of the parent unit is turned off; or • When the parent unit is talking to the baby unit.
TALK	• On when the parent unit is talking to the baby unit.

### Parent unit status icons

	<b>Connection status</b> •  displays when strong signal strength is detected between the baby unit and the parent unit. •  or  displays when moderate or low signal strength is detected between the baby unit and the parent unit. •  displays when the link between the baby unit and the parent unit is lost.
--	---

	<b>Lullaby</b> • Displays when the baby unit being viewed is playing lullabies or soothing sounds.
	<b>Current view status</b>
	<b>Night vision</b> • Displays when the night vision feature is on.
	<b>Zoom</b> • Displays when the current image on the parent unit has zoomed in.
	<b>Temperature alert tone</b> • Displays when the temperature alert tone is on.
	<b>Real-time temperature</b> • Displays the real-time temperature detected by the baby unit in Fahrenheit (°F) or Celsius (°C) (e.g. 57 °F or 14 °C).
	<b>Volume off</b> • Displays when the parent unit speaker volume is set to off.
	<b>9-level sound indicator</b> •  (1 to 3 bars) indicates low sound level detected by the baby unit. •  (4 to 6 bars) indicates moderate sound level detected by the baby unit. •  (7 to 9 bars) indicates high sound level detected by the baby unit (e.g. baby crying loudly).
	<b>Speaker volume</b> • Displays the parent unit speaker volume level while adjusting.
	<b>Battery status</b> •  animates when the battery is charging. •  displays solid when the battery is fully charged. •  displays when the battery is low and needs charging.
	<b>AC power without battery</b> • Displays when the parent unit is connected to AC power without the battery.

