



# Safe & Sound Starlight Digital Audio Baby Monitor BM2200

## User guide



### Congratulations

Before using this product please read the **Important safety instructions**.

This manual contains all the feature descriptions, operations and troubleshooting necessary to install and operate your new VTech product. Please read this manual thoroughly to ensure proper installation and operation of this innovative and feature rich VTech product.

### Important safety instructions

When using your equipment, basic safety precautions should always be followed to reduce the risk of fire, electric shock and injury, including the following:

- Follow all warnings and instructions marked on the product.
- Adult setup is required.
- This product is intended as an aid. It is not a substitute for responsible and proper adult supervision and should not be used as such.
- This product is not intended for use as a medical monitor.
- Do not use this product near water. For example, do not use it next to a bath tub, wash bowl, kitchen sink, laundry tub or swimming pool, or in a wet basement or shower.
- CAUTION:** Use only the batteries indicated in this manual. There may be a risk of explosion if a wrong type of battery is used for the parent unit. Use only the supplied rechargeable battery.
- Use only the adaptors included with this product. Incorrect adaptor polarity or voltage can seriously damage the product. Baby unit power adaptor: Input 100-240V AC 50/60 Hz; output: 6V DC 450 mA; Parent unit power adaptor: Input 100-240V AC 50/60 Hz; output: 6V DC 450 mA.
- The power adaptors are intended to be correctly oriented in a vertical or floor mount position. The prongs are not designed to hold the plug in place if it is plugged into a ceiling, under-the-table or cabinet outlet.
- Unplug this product from the wall outlet before cleaning. Do not use liquid or aerosol cleaners. Use a damp cloth for cleaning.
- Unplug the power cords before replacing batteries.
- Do not cut off the power adaptors to replace them with other plugs, as this causes a hazardous situation.
- Do not allow anything to rest on the power cords. Do not install this product where the cords may be walked on or crimped.
- This product should be operated only from the type of power source indicated on the marking label. If you are not sure of the type of power supply in your home, consult your dealer or local power company.
- Do not overload wall outlets or use an extension cord.
- Do not place this product on an unstable table, shelf, stand or other unstable surfaces.

- This product should not be placed in any area where proper ventilation is not provided. Slots and openings in the back or bottom of this product are provided for ventilation. To protect them from overheating, these openings must not be blocked by placing the product on a soft surface such as a bed, sofa or rug. This product should never be placed near or over a radiator or heat register.
- Never push objects of any kind into this product through the slots because they may touch dangerous voltage points or create a short circuit. Never spill liquid of any kind on the product.
- To reduce the risk of electric shock, do not disassemble this product, but take it to an authorised service facility. Opening or removing parts of the product other than specified access doors may expose you to dangerous voltages or other risks. Incorrect reassembling can cause electric shock when the product is subsequently used.
- You should test the sound reception every time you turn on the units or move one of the components.
- Periodically examine all components for damage.
- Be aware of possible loss of privacy while using public airwaves. Conversations may be picked up by other nursery monitors, cordless phones, scanners, etc.
- Children should be supervised to ensure that they do not play with the product.
- The product is not intended for use by persons (including children) with reduced physical, sensory or mental capabilities, or lack of experience and knowledge, unless they have been given supervision or instruction concerning use of the appliance by a person responsible for their safety.

### SAVE THESE INSTRUCTIONS

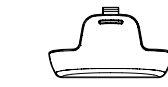
### What's in the box

#### Parts checklist

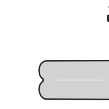
Check to make sure the package contains the following items. Save your sales receipt and original packaging in the event warranty service is necessary.



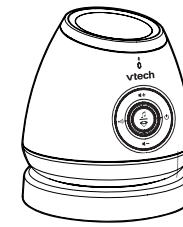
Parent unit (BM2200 PU)



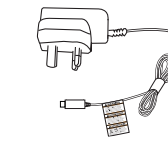
Parent unit battery compartment cover



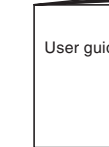
Parent unit battery



Baby unit (BM2200 BU)



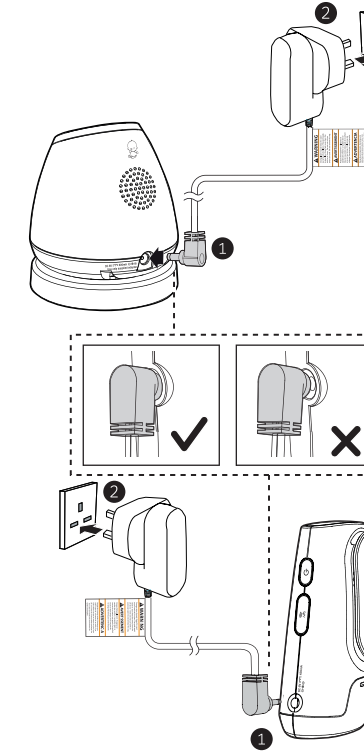
2 power adaptors



User guide

### Connect and charge the battery

#### Connect the baby monitor



#### NOTES:

- Use only the supplied power adaptor.
- The baby unit power adaptors are intended to be correctly oriented in a vertical or floor mount position. The prongs are not designed to hold the plug in place if it is plugged into a ceiling, under-the-table or cabinet outlet.
- Make sure the baby units and the power adaptor cords are out of reach of children.

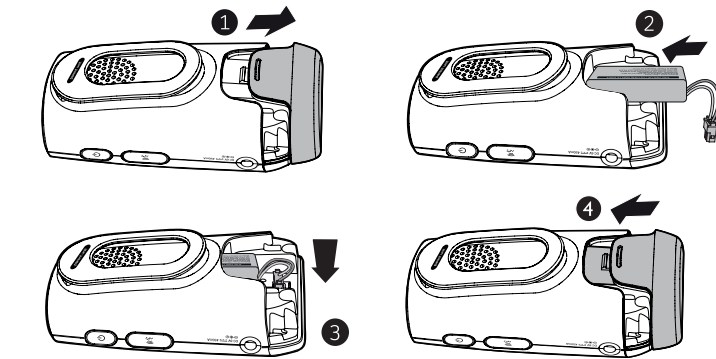
### Install the battery

You can power up the parent unit by connecting it to AC power or to the rechargeable battery provided. Even if the parent unit is connected to AC power, we recommend you also install the battery. This guarantees continual operation in case of a power outage.

#### NOTE:

- Use only the battery supplied with this product.

Install the battery as shown below.



### Replace the battery

To replace the battery, unplug the battery connector from the socket, and then pull the battery out of the battery compartment. Follow the steps above to install the battery.

#### NOTES:

- The operating time for using the rechargeable battery is short. If you want to monitor your baby for a long time, we recommend you connect the parent unit to AC power.
- If the parent unit will not be used for a long time, disconnect and remove the battery to prevent possible leakage.

### Charge the parent unit battery

Once you have connected the parent unit and installed its battery, it powers on automatically. The battery icon indicates the battery status (see the following table).

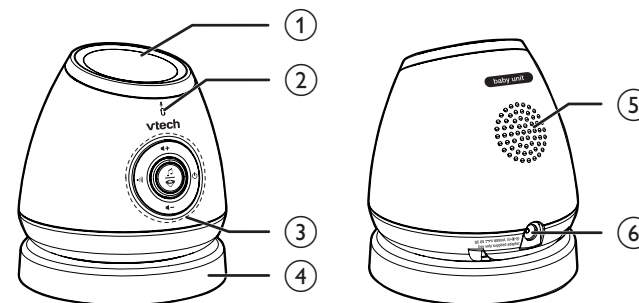
#### NOTES:

- The parent unit battery is fully charged after 11 hours of continuous charging.
- It takes longer to charge the battery when the parent unit is turned on. To shorten the charging time, turn the parent unit off while charging.
- The standby time varies depending on the sensitivity level you set, your actual use and the age of the battery.

Battery indicators	Battery status	Action
The battery icon is off.	No battery is installed. The parent unit can be used only when it is connected to AC power.	Install the parent unit battery. Charge without interruption (at least 30 minutes).
LOW BATTERY and  flash on the screen. The  light flashes.	The battery has very little charge and may be used for only a short time.	Charge without interruption (about 30 minutes).
The battery icon becomes solid .	The battery is fully charged.	To keep the battery charged, connect it to AC power when not in use.

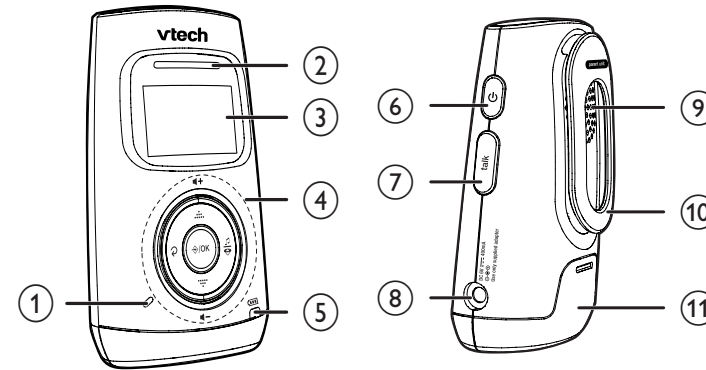
### Overview

#### Baby unit overview



1	<b>Projector</b> <ul style="list-style-type: none"> <li>When on, it projects star patterns onto the ceiling.</li> </ul>
2	<b>Microphone</b>
3	<b>Control key panel power on</b> <ul style="list-style-type: none"> <li>Press to power on.</li> <li>Press and hold to power off.</li> </ul> <b>page</b> <ul style="list-style-type: none"> <li>Press to start or stop paging parent unit.</li> </ul> <b>volume +</b> <ul style="list-style-type: none"> <li>Press to increase the listening volume or lullaby volume.</li> </ul> <b>volume -</b> <ul style="list-style-type: none"> <li>Press to decrease the listening volume or lullaby volume.</li> </ul> <ul style="list-style-type: none"> <li>Press to turn the projector and lullaby on or off.</li> </ul>
4	<b>Magnetic base</b>
5	<b>Speaker</b>
6	<b>Power jack</b>

#### Parent unit overview



1	<b>Microphone</b>
2	<b>Visual sound indicator</b> <p>The visual sound indicator has two functions. One is to show the sound level detected by the baby unit. The other one is to show the volume level during speaker volume setting.</p> <b>Sound level detected by the baby unit</b> <ul style="list-style-type: none"> <li>  One to three green lights indicate a moderate sound level detected by the baby unit.</li> <li>  Additional red lights indicate a higher sound level detected by the baby unit (e.g. baby crying loudly).</li> </ul> <b>Speaker volume level</b> <ul style="list-style-type: none"> <li>  One to three green lights indicate <b>Level 1</b> to <b>Level 3</b> of the speaker volume setting.</li> <li>  Additional red lights indicate <b>Level 4</b> to <b>Level 5</b> of the speaker volume setting.</li> </ul>
3	<b>LCD panel</b>

4	<b>Control key panel menu</b> <ul style="list-style-type: none"> <li>Press to enter the menu while idle.</li> </ul> <b>select</b> <ul style="list-style-type: none"> <li>While in a menu, press to choose an item, or save a setting.</li> </ul> <b>back</b> <ul style="list-style-type: none"> <li>While in a menu, press to return to the previous screen.</li> <li>Press to return to idle screen.</li> </ul> <b>volume +</b> <ul style="list-style-type: none"> <li>Press to increase the speaker volume.</li> </ul> <b>volume -</b> <ul style="list-style-type: none"> <li>Press to decrease the speaker volume.</li> </ul> <ul style="list-style-type: none"> <li>While in a menu, press to scroll down.</li> </ul>
5	<b>Battery level indicator</b> <ul style="list-style-type: none"> <li>Light on when the parent unit battery is being charged.</li> <li>Light flashes when the parent unit battery is low and needs charging.</li> <li>Light off when the parent unit battery is fully charged, or when no battery is installed.</li> </ul>
6	<b>(On/off)</b> <ul style="list-style-type: none"> <li>Press to power on.</li> <li>Press and hold to power off.</li> <li>Press to return to idle screen when the parent unit is in use.</li> </ul>
7	<b>Talk</b> <ul style="list-style-type: none"> <li>Press and hold to talk to the baby unit; release to stop talking.</li> <li>While in a menu, press to return to idle screen.</li> </ul>
8	<b>Power jack</b>
9	<b>Speaker</b>
10	<b>Belt clip</b>
11	<b>Battery compartment cover</b>

#### Parent unit display icons

	<b>Connection status</b> <ul style="list-style-type: none"> <li> displays when strong signal strength is detected between the baby unit and the parent unit.</li> <li> displays when moderate signal strength is detected between the baby unit and the parent unit.</li> <li> displays when weak link signal strength is detected between the baby unit and the parent unit.</li> <li> flashes when the link between the baby unit and the parent unit is lost.</li> </ul>
	<b>Extended ECO mode</b> <ul style="list-style-type: none"> <li>Displays when the extended ECO mode is on.</li> </ul>
	<b>Projector</b> <ul style="list-style-type: none"> <li>Displays when the projector of the baby unit is on.</li> </ul>
	<b>Sound alert</b> <ul style="list-style-type: none"> <li>Displays when the sound alert of the parent unit is turned on.</li> <li>Flashes when there are sounds detected from the baby unit and the parent unit is muted.</li> </ul>
	<b>Vibration alert</b> <ul style="list-style-type: none"> <li>Displays when the vibration alert of the parent unit is turned on.</li> <li>Flashes when there are loud sounds detected from the baby unit.</li> </ul>
	<b>Mute</b> <ul style="list-style-type: none"> <li>Displays when the volume is turned off.</li> </ul>
	<b>Battery status</b> <ul style="list-style-type: none"> <li> animates when the battery is charging.</li> <li> displays solid when the battery is fully charged.</li> <li> displays when battery is low and needs charging.</li> <li>No battery icon displays when there is no battery installed.</li> </ul>

#### Parent unit display screen messages

LINKED	When the link between the parent unit and the baby unit is established.
LOW BATTERY	The parent unit uses only the rechargeable battery pack and it needs to be recharged.
NOT LINKED	When the link between the parent unit and the baby unit is lost continuously for over 10 seconds.
SAVED	Your selection has been saved.
SEARCHING	The parent unit is out of range of the baby unit, or the baby unit is out of power.
TALK	The parent unit is talking to the baby unit.

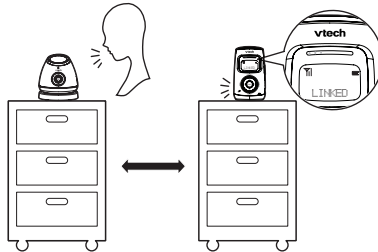


## Before use

You should test the baby monitor before initial use, and at regular intervals thereafter. Place the parent unit and the baby unit in the same room to test the product.

### Test your audio monitor

- Speak towards the microphone of the baby unit. You will hear the sound at the parent unit, and see the visual sound indicators light up.

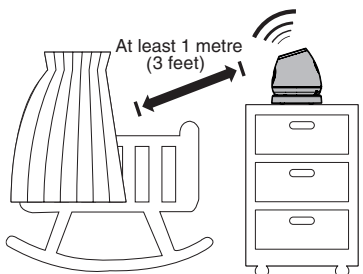


### Positioning the baby monitor

#### NOTE:

- Keep the baby unit out of reach of the baby. Never place or mount the baby unit inside the baby's cot or playpen.

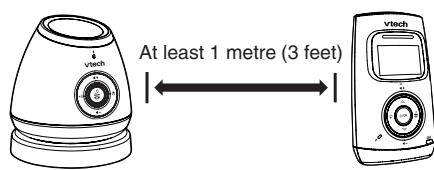
- Place the baby unit at least 1 metre / 3 feet away from your baby.



#### NOTE:

- If you experience audio feedback from either the parent unit or baby unit, move the parent unit further away until there is no more audio feedback; or press **volume -** on the parent unit to lower the audio feedback sound.

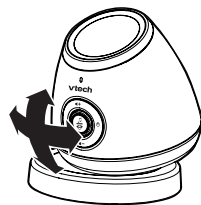
- Place the parent unit at least 1 metre / 3 feet away from the baby unit.



#### NOTE:

- You can increase the speaker volume of the parent unit if you cannot hear the sounds transmitted from the baby unit.

- Press on the baby unit to turn the projector on to see it project colourful images. Adjust the angle of the baby unit so that the images are clearly projected on a ceiling or a wall.



### Operating range

The operating range of the baby monitor is up to 300 metres (1,000 feet) outdoors or 50 metres (160 feet) indoors. The actual operating range may vary depending on the environmental conditions, and other interferences such as walls, doors, and other obstructions.

## Using your baby monitor

### Power on or off the baby unit

- Press **and hold power on** to turn the baby unit on. The **power on** lights up.
- Press **and hold power on** again to power off the baby unit.

### Power on or off the parent unit

- Press **and hold** to power the parent unit on. The screen turns on.
  - Press **and hold** again to power off the parent unit. The screen turns off.
- NOTE:**
- The parent unit powers on automatically once it is connected to AC power or the battery is installed. The baby unit also powers on automatically once connected to AC power.

### Adjust the speaker volume for baby unit

- Press or on the baby unit at any time.

### Adjust the speaker volume for parent unit

You can adjust the speaker volume from **VOLUME 1** to **VOLUME 5**, or turn it off. The speaker volume is preset to **VOLUME 3**.

- Press or when the parent unit is not in use.

When the speaker volume is set to off, the screen displays .

#### NOTE:

- To enter the sensitivity menu of the parent unit, the baby unit must be turned on.

### Language

You can select the language to be used in all screen displays.

- Press /OK when the parent unit is not in use.
- The display shows **LANGUAGE**. Press .
- Press **volume +** or **volume -** to choose the desired language for screen display.
- Press /OK to confirm your selection. The screen displays **SAVED** and you hear a confirmation tone.

#### NOTE:

- The language setting on each parent unit is independent.

### Sound alert

Sound alert feature works only when the parent unit is in mute.

If you turn on the sound alert, the parent unit beeps when the baby unit detects sounds which light up four sound level indicators on the parent unit.

When the sound alert of the parent unit is turned on, displays. The sound alert is preset to **OFF**.

- Press /OK when the parent unit is not in use.
- Press or to choose **SOUND ALERT**, then press /OK.
- If the current sound alert setting is **OFF**, the screen displays **ON?** If the current sound alert setting is **ON**, the screen displays **OFF?**
- Press /OK to confirm your selection. The screen displays **SAVED** and you hear a confirmation tone.

#### NOTE:

- The sound alert setting on each parent unit is independent.

### Nightlight

When this feature is turned on, the nightlight on the baby unit gives a soft glow for comfort and allows easy location in the dark.

When nightlight is turned on, displays on the parent unit screen.

#### On the parent unit:

- Press /OK when the parent unit is not in use.
- Press or to choose **NIGHTLIGHT**, then press **select**.
- If the current nightlight setting is **OFF**, the screen displays **ON?** If the current nightlight setting is **ON**, the screen displays **OFF?**
- Press /OK to confirm your selection. The screen displays **SAVED** and you hear a confirmation tone.

#### On the parent unit or baby unit:

- Press for the first time, the baby unit nightlight turns on and lullaby starts to play all lullabies.
- Press for the second time, the baby unit nightlight turns off and lullaby remains on.
- Press for the third time, the baby unit nightlight turns on again and lullaby goes off.
- Press for the fourth time, the baby unit nightlight turns off again and lullaby remains off.

### Vibration alert

You can turn on the vibration alert so that the parent unit vibrates when the baby unit detects sounds which light up four sound level indicators on the parent unit.

When the vibration alert of the parent unit is turned on, displays. The vibration alert is preset to **OFF**.

- Press /OK when the parent unit is not in use.
- Press or to choose **VIBE ALERT**, then press **select**.
- If the current vibration alert setting is **OFF**, the screen displays **ON?** If the current vibration alert setting is **ON**, the screen displays **OFF?**
- Press /OK to confirm your selection. The screen displays **SAVED** and you hear a confirmation tone.

### Minimum temperature

- Press /OK when the parent unit is not in use.
- Press or to choose **TEMPERATURE**, then press /OK.
- Press /OK again to choose **MINIMUM**.
- Press or to choose the desired minimum temperature (**11-20°C**), then press /OK to save.

### Maximum temperature

- Press /OK when the parent unit is not in use.
- Press or to choose **TEMPERATURE**, then press /OK.
- Press or to choose **MAXIMUM**, then press /OK.
- Press or to choose the desired maximum temperature (**21-30°C**), then press /OK to save.

### Temperature alert

- Press /OK when the parent unit is not in use.
- Press or to choose **TEMPERATURE**, then press /OK.
- Press or to choose **ALERT ON/OFF**, then press /OK.
- If the current temperature alert setting is **OFF**, the screen displays **ON?** If the current temperature alert setting is **ON**, the screen displays **OFF?**
- Press /OK to confirm your selection. The screen displays **SAVED**. You will hear a confirmation tone.

### ECO range

You can change the setting of the ECO range. The shorter the ECO range, the lower the radiation emitted, so the operating range will be reduced.

#### To change the ECO range:

- Press /OK when the parent unit is not in use.
- Press or to choose **ECO range**, then press /OK.
- Press or to choose **FULL RANGE, HALF RANGE, ONE ROOM, and DESK**.
- Press /OK to confirm your selection. The screen displays **SAVED**. You will hear a confirmation tone.

### Extended ECO

You can turn on the extended ECO mode so that the radiation emitted will be lowered to the minimum, so the operating range will be reduced to the minimum.

#### To turn on the Extended ECO mode:

- Press /OK when the parent unit is not in use.
- Press or to choose **Extended ECO**, then press /OK.
- If the current extended ECO setting is **OFF**, the screen displays **ON?** If the current extended ECO setting is **ON**, the screen displays **OFF?**
- Press /OK to confirm turning on the Extended ECO. The screen displays **SAVED**. You will hear a confirmation tone.

### Reset

You can restore all the adjustable settings back to their original factory settings.

#### To reset the baby monitor:

- Press /OK when the parent unit is not in use.
- Press or to choose **RESET**, then press /OK.
- The screen displays **CONFIRM?** Press /OK to confirm. The screen displays **SAVED**. You will hear a confirmation tone.

## Customer service & Product warranty

**PRODUCT WARRANTY**

Thank you for choosing this quality product from VTech. We hope it will bring many hours of entertainment, imaginative play and learning.

1. The product detailed above is covered by a one year warranty from the date of purchase, against any defects in materials or workmanship.

2. The product may be returned to the place of purchase. Alternatively the product can be returned to VTech Electronics Europe plc (see address below), with proof of purchase, without proof of purchase no replacement will be provided.

3. VTech Electronics Europe plc will examine the product and if it is found to be defective due to faulty materials or workmanship, will replace the product at their discretion.

4. If the product covered by this warranty is damaged due to misuse, modification or unauthorised repair, or because of faulty batteries, battery discharge or incorrect electrical connections, then this warranty becomes void.

5. This warranty is personal to the original purchaser and is not transferable.

6. Breakages to the LCD screen are not covered by the warranty.

7. Returns to VTech Electronics Europe plc should include a cheque or postal order for £1.50 towards the cost of return postage and packaging.

8. Products returned to VTech Electronics Europe plc, should be addressed as follows and packed carefully to avoid damage in transit (Please do not include batteries or adaptor). Please include details of the fault together with your name and address.

9. To keep an online record of your warranty, please register your product online at [www.vtech.co.uk/warranty](http://www.vtech.co.uk/warranty)

VTech Electronics Europe plc, c/o Tablogix Limited, 200 Milton Park, Abingdon, Oxon OX14 4TA

THIS WARRANTY IS OFFERED AS AN EXTRA BENEFIT AND DOES NOT AFFECT CONSUMERS' STATUTORY RIGHTS.

This warranty is valid for the UK and Eire only. For products purchased outside the UK and Eire, please contact your local distributor or place of purchase.

## Technical Specifications

<b>Frequency</b>	1881.792 - 1897.344 MHz
<b>No. of channels</b>	5
<b>LCD</b>	35 (x) x 21.2 (y) mm B&W LCD
<b>Power supply</b>	<b>Use only adaptor listed below:</b> <b>Baby unit:</b> RuiJing - RJ-AS060450B001 VTPL - VT04EUK06045 Input: 100- 240VAC 50/60Hz 150mA Output: 6VDC 450mA <b>Parent unit:</b> RuiJing - RJ-AS060450B001 VTPL - VT04EUK06045 Input: 100- 240VAC 50/60Hz 150mA Output: 6VDC 450mA For pluggable equipment, the socket-outlet (power adaptor) shall be installed near the equipment and shall be easily accessible. <b>Use only battery listed below:</b> <b>Battery information:</b> Parent unit: CORUN - Ni-MH AAA400*2 GPI - VTRHC043C041 2.4V, 400mAH, NiMH, AAA size

## Disposal of batteries and product



The crossed-out wheeled bin symbols on products and batteries, or on their respective packaging, indicates they must not be disposed of in domestic waste as they contain substances that can be damaging to the environment and human health.



The chemical symbols Hg, Cd or Pb, where marked, indicate that the battery contains more than the specified value of mercury (Hg), cadmium (Cd) or lead (Pb) set out in Battery Directive (2006/66/EC).

The solid bar indicates that the product was placed on the market after 13th August, 2005.

Help protect the environment by disposing of your product or batteries responsibly.

For more information, please visit:

[www.recycle-more.co.uk](http://www.recycle-more.co.uk)

[www.recyclenow.com](http://www.recyclenow.com).

#### NOTES:

- Each time you set the vibration alert to **ON**, the parent unit vibrates briefly after you press **select**.
- The vibration alert setting on each parent unit is independent.

### Talk to the baby unit

You can broadcast messages from a parent unit to the baby unit.

- Press **and hold talk** on the side of the parent unit. The screen displays **TALK** when the voice connection to the baby unit is made. Speak towards the **mic** on the parent unit. Your voice is broadcast to the baby unit.

#### NOTE:

- If the speaker volume of the parent unit is set to **VOLUME OFF**, it will be reset to the default **VOLUME 3** when you press **and hold TALK**.

### Monitor the temperature

Your baby unit measures the surrounding temperature. If the detected temperature falls beyond a desired temperature range, the parent unit screen will display **LOW TEMP** or **HI TEMP**.

You can change the settings for the temperature format and range, as well as turn the temperature alert on or off by the following steps.

### Temperature format

You can choose to display the temperature in Celcius (°C) or Fahrenheit (°F).

- Press /OK when the parent unit is not in use.
- Press or to choose **TEMPERATURE**, then press /OK.
- Press or to choose **FORMAT**, then press /OK.
- Press or to choose **CELSIUS?** or **FAHRENHEIT?**, then press /OK to save.

## Declaration of Conformity

This product is intended for use within Europe.

This equipment complies with the essential requirements for the Radio Equipment and Telecommunications Terminal Equipment Directive 1999/5/EC.

Vtech Telecommunications Ltd. hereby declares that this Starlight Digital Audio Baby Monitor BM2200 is in compliance with the essential requirements and other relevant provisions of Directive 1999/5/EC.

The Declaration of Conformity for the BM2200 is available from <http://www.vtech.com/rte-directive>.



Designed to fit your home.  
And your life.

VTech Telecommunications Ltd.  
A member of THE VTECH GROUP OF COMPANIES.  
Distributed in the U.K. by VTech Electronics Europe plc.,  
VTech is the registered trademark of VTech Holdings Limited.  
Specifications are subject to change without notice.  
© 2016 for VTech Telecommunications Ltd.  
All rights reserved. 10/15. BM2200\_UK\_CIB\_V1.0

