

RM5755HD

5" Smart Wi-Fi 1080p Video Monitor



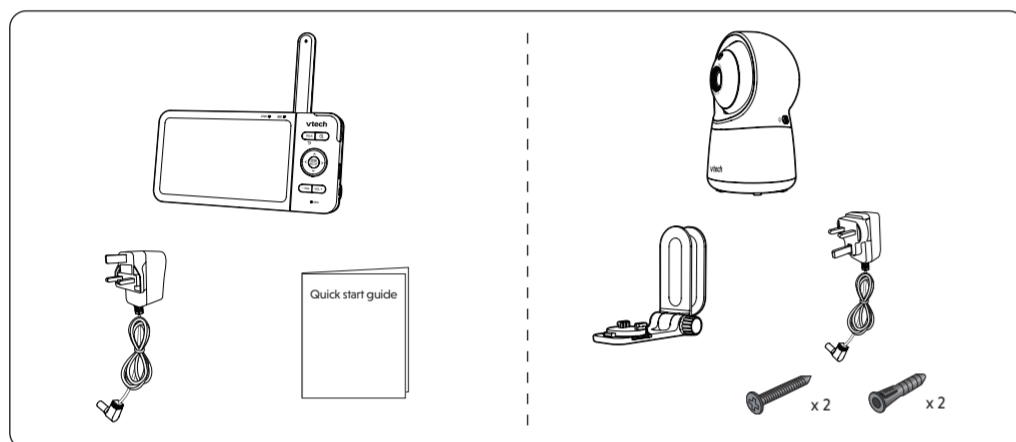
vtech
Quick start guide

Congratulations

on purchasing your new VTech product.
Before using this baby monitor, please read the **Important safety instructions**.

WHAT'S IN THE BOX

Your baby monitor package contains the following items. Save your sales receipt and original packaging in the event warranty service is necessary.



IMPORTANT SAFETY INSTRUCTIONS

The applied nameplate is located at the bottom of the baby unit's base.

When using your equipment, basic safety precautions should always be followed to reduce the risk of fire, electric shock and injury, including the following:

- Follow all warnings and instructions marked on the product.
- Adult setup is required.
- CAUTION:** Do not install the baby unit at a height above 2 metres.
- This product is intended as an aid. It is not a substitute for responsible and proper adult supervision and should not be used as such.
- This product is not intended for use as a medical monitor.
- Do not use this product near water, for example, near to a bath, sink, swimming pool or shower.
- CAUTION:** Use only the battery provided (if applicable). There may be a risk of explosion if a wrong type of battery is used for the parent unit. The battery cannot be subjected to high or low extreme temperature and low air pressure at high altitude during use, storage or transportation. Disposal of battery in fire or a hot oven, mechanically crushing or cutting the battery can result in an explosion. Leaving the battery in an extremely high temperature surrounding environment can result in an explosion or the leakage of flammable liquid or gas. Battery subjected to extremely low air pressure may result in an explosion or the leakage of flammable liquid or gas. Dispose of used battery according to the instructions.
- Use only the power adaptors included with this product. Incorrect power adaptor polarity or voltage can seriously damage the product.

Power adaptor information:

Baby Unit Output: 5V DC 1A
VTech Telecommunications Ltd.
Model: VT05EUK05100
Parent Unit Output: 5V DC 2A
VTech Telecommunications Ltd.
Model: VT07EUK05200

Rechargeable battery information:

3.7V 5000mAh, 18.5Wh Lithium-ion battery
Guangzhou Great Power Energy & Technology Co., Ltd.
Model: GSP806090-5Ah-3.7V-LS1P

- The power adaptors are intended to be correctly oriented in a vertical or floor mount position. The prongs are not designed to hold the plug in place if it is plugged into a ceiling, under-the-table or cabinet outlet.
- For pluggable equipment, the socket-outlet shall be installed near the equipment and shall be easily accessible.
- Unplug this product from the wall outlet before cleaning. Do not use liquid or aerosol cleaners. Use a damp cloth for cleaning.
- Do not modify the power adaptors or replace with other adaptors, as this causes a hazardous situation.
- Do not allow anything to rest on the power cords. Do not install this product where the cords may be walked on or crimped.
- This product should be operated only from the type of power source indicated on the marking label. If you are not sure of the type of power supply in your home, consult your dealer or electricity supply provider.
- Do not overload wall outlets or use an extension cord.
- Do not place this product on an unstable table, shelf, stand or other unstable surfaces.

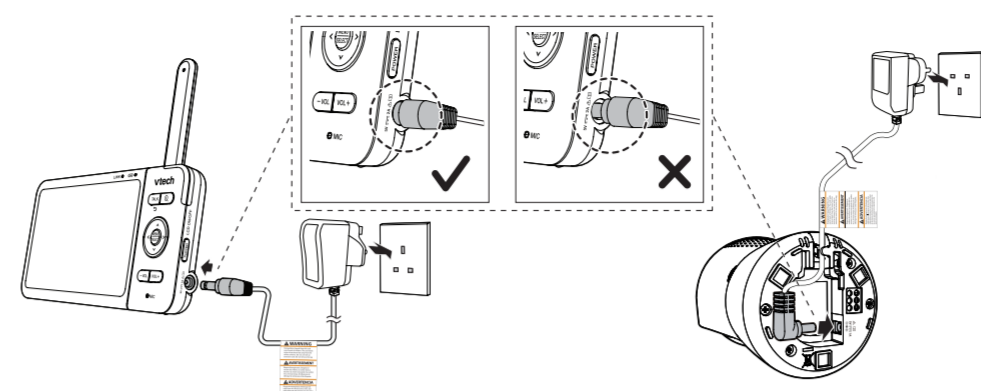
- This product should not be placed in any area where proper ventilation is not provided. Slots and openings in the back or bottom of this product are provided for ventilation. To protect them from overheating, these openings must not be blocked by placing the product on a soft surface such as a bed, sofa or rug. This product should never be placed near or over a radiator or heat source.
- Never push objects of any kind into this product through the slots because they may touch dangerous voltage points or create a short circuit. Never spill liquid of any kind on the product.
- To reduce the risk of electric shock, do not disassemble this product, but take it to an authorised service facility. Disassembling or removing parts of the product other than via the battery door (if applicable) may expose you to dangerous voltages or other risks. Incorrect reassembly can cause electric shock when the product is subsequently used.
- You should test the sound reception every time you turn on the units or move one of the components.
- Periodically examine all components for damage.
- There is a very low risk of privacy loss when using certain electronic devices, such as baby monitors, cordless telephones, etc. To protect your privacy, make sure the product has never been used before purchase, reset the baby monitor periodically by powering off and then powering on the units, and power off the baby monitor if you are not intending to use it for some time.
- The small parts of this monitor can be swallowed by babies or small children. Keep these parts out of reach of children.
- Children should be supervised to ensure that they do not play with the product.
- The product is not intended for use by persons (including children) with reduced physical, sensory or mental capabilities, or lack of experience and knowledge, unless they have been given supervision or instruction concerning use of the appliance by a person responsible for their safety.

SAVE THESE INSTRUCTIONS

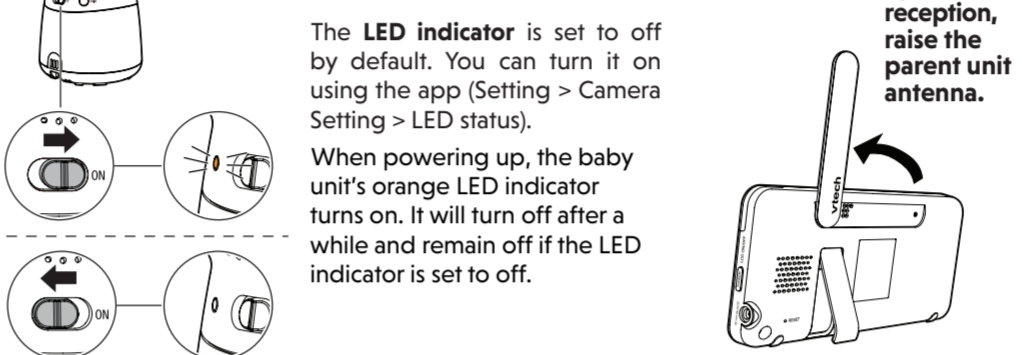
- Cautions**
- Use and store the product at a temperature between 0°C and 40°C.
 - Do not expose the product to extreme cold, heat or direct sunlight. Do not put the product close to a heating source.
 - Batteries should not be exposed to excessive heat such as bright sunshine or fire.
 - Mishandling batteries can cause burn, fire or explosion hazards.
 - Warning—Strangulation Hazard—**Children have STRANGLED in cords. Keep this cord out of the reach of children (more than 0.9m away). Do not remove warning label on the adaptor cord.
 - Never place the baby unit inside the baby's cot or playpen. Never cover the baby unit or parent unit with anything such as a towel or a blanket.
 - Other electronic products may cause interference with your baby monitor. Try installing your baby monitor as far away from these electronic devices as possible: wireless routers, radios, cellular telephones, intercoms, room monitors, televisions, personal computers, kitchen appliances and cordless telephones.

CONNECT, CHARGE AND POWER ON THE BABY MONITOR

Connect the baby monitor



Slide the **ON** switch to power on or off your baby unit.



The **LED indicator** is set to off by default. You can turn it on using the app (Setting > Camera Setting > LED status).

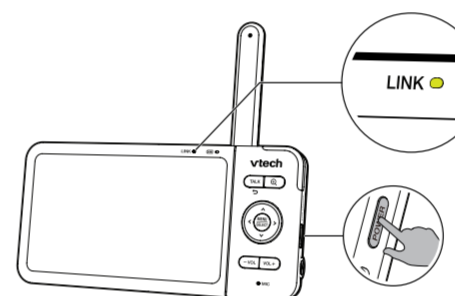
When powering up, the baby unit's orange LED indicator turns on. It will turn off after a while and remain off if the LED indicator is set to off.

For optimum reception, raise the parent unit antenna.

Charge the parent unit battery before use

The parent unit runs on an internal rechargeable battery or AC power. To continuously monitor your baby, keep the parent unit connected to AC power. When the parent unit is used on the internal batteries, the operating time will vary according to the initial state of charge and the settings.

The parent unit turns on automatically after connecting to the power socket, and the welcome screen appears. You can **press and hold POWER** to turn it on or off. The battery icon indicates the battery status.



DOWNLOAD APP FOR MOBILE ACCESS

Use the **MyVTech Baby Plus** on your mobile device to monitor your baby remotely. Follow the instructions below to set up and pair your baby monitor with the app.



- Scan the QR code to download the free **MyVTech Baby Plus** mobile app, or search "MyVTech Baby Plus" on App Store or Google Play Store. Ensure you have the right app with the purple icon downloaded. If you have previously installed the app, ensure that you have the latest version.



NOTE

- Make sure your mobile device meets the minimum requirement for the mobile app.

Minimum requirement

- The mobile app is compatible with:
 - Android™ 9.0 or later; and
 - iOS 14 or later.



- Tap **+** to launch the mobile app on your device and create an account. Note that existing accounts in **MyVTech Baby Pro** cannot sign in to the **MyVTech Baby Plus** app.
- We recommend that you use common webmail services, such as Google Gmail, to register your user account. Check your email (including the Spam folder) and activate your new account by entering the email verification code. Then, sign in to your account.
- Ensure that you are connected to a **2.4GHz Wi-Fi network** and have enabled **Bluetooth** and **Location Service** on your device.
- After signing in to the app, select **Camera(s) with Parent unit** and scan the QR code displayed on the parent unit. To find the QR code, press the **MENU/SELECT** button and go to **Settings > Connect to Mobile App**.
- Input the Wi-Fi password.
- Press and hold** the pair key on the baby unit for 3 seconds until you hear the beep sound to enter pairing mode.
- Select the camera model that appears in the app and wait for the camera to connect. Once connected, it will display a live view preview.
- Select "**Continue**" and create a profile for your baby (Optional). Now you can start monitoring!

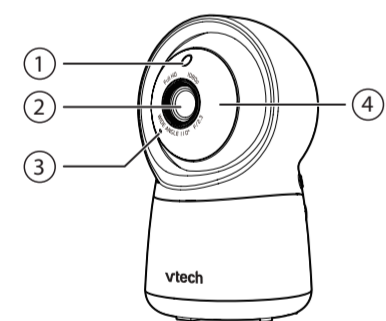
TIP

Use **Camera Sharing** to instantly share access to the camera. Follow these steps:

- Go to **Menu** and select **Camera Sharing**.
- Choose "**Invite People**" and enter the name and email address of the family member's app account.
- The family member will receive a pop-up notification in the app and can accept the invitation to access the camera(s).

OVERVIEW

Baby unit overview



- Light sensor**
- Camera lens**
- Microphone**
- Infrared LEDs**
 - Allow you to see clearly in dark surroundings.
- Speaker**
 - Press to turn the night light on or off.
- LED indicator**
 - It is set to off by default. You can turn it on using the app (Setting > Camera Setting > LED status).

In direct mode:

- Orange is steadily on when the baby unit is connecting to the parent unit.
- Orange flashes slowly during video streaming.

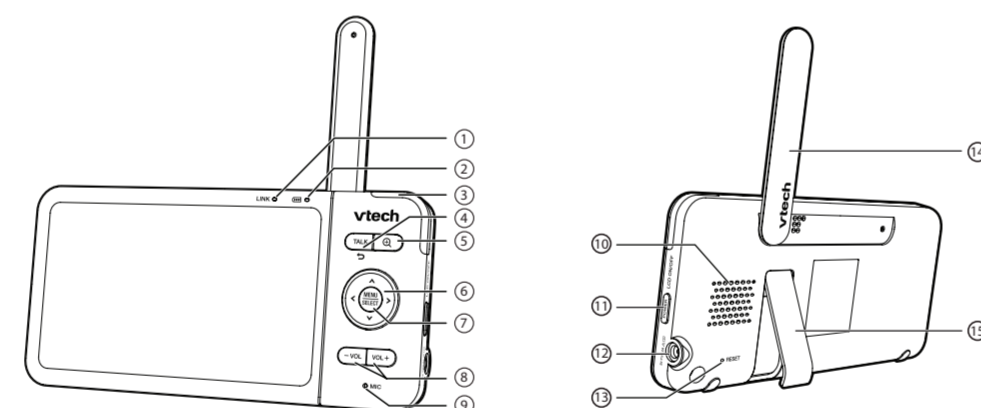
In Wi-Fi mode:

- Green is steadily on when the baby unit is connected to Wi-Fi.
- Green flashes slowly during video streaming to Wi-Fi.

- ON**
 - Power on/off switch.
- PAIR**
 - To enter pairing mode, **press and hold PAIR** key for three seconds until you hear a beep sound. Then follow the app instructions to connect the camera to a 2.4GHz Wi-Fi network.
 - To reset the baby unit, **press and hold PAIR** key until you hear a beep sound. Release the **PAIR** key, and then press the **PAIR** key again five times until you hear another beep sound. The baby unit will sound another beep when the reset completes. Then, the baby unit will reboot.

- Night light**
- Temperature sensor**
- Slots for wall mounting**
 - Wall mount bracket is included in your package.
- Power jack**

Parent unit overview



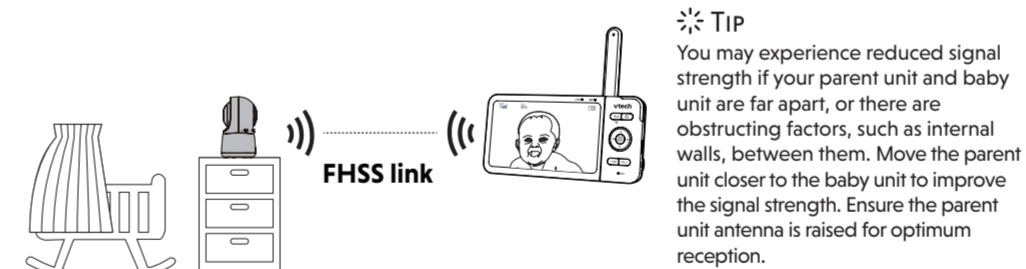
- LINK LED light**
 - On when connected to baby unit.
 - Flashes when connection is lost.
- LED light**
 - On: Connected to AC power, battery charging.
 - Flashes: Low battery, needs charging.
- 3-level sound indicator light**
 - The lights indicate different sound levels detected from the baby unit.
 - Green light: low sound level.
 - Green and amber lights: moderate sound level.
 - Green, amber, and red lights: high sound level.
- TALK /**
 - Press and hold** to talk to the baby unit.
 - While in a submenu, press to exit.
- Microphone**
 - Press to zoom in/out.
 - While in a submenu, press to view the help menu.
- Arrow keys**
 - Press to navigate leftward, upward, rightward or downward, within the main menu and submenu.
 - While viewing zoomed image, press to move the zoomed image leftward, upward, rightward or downward.
- MENU/SELECT**
 - Press to enter the main menu.
 - While in a menu, press to choose an item, or save a setting.
- VOL/ VOL +**
 - Increase or decrease the parent unit's speaker volume.
- Microphone**
- Speaker**
- POWER / LCD ON/OFF**
 - Press and hold to turn on/off the power.
 - Press to turn on/off the LCD screen.
- Power jack**
- RESET**
 - Use a pin or paper clip to press and force reboot the parent unit.
- Antenna**
- Stand**

HOW THE SYSTEM WORKS

TIP To receive product firmware updates, this baby monitor requires connecting to a 2.4GHz home Wi-Fi network.

Direct mode

Your baby monitor parent unit and baby unit connect to each other in **Direct mode** by default, which allows you to immediately stream video out of the box.

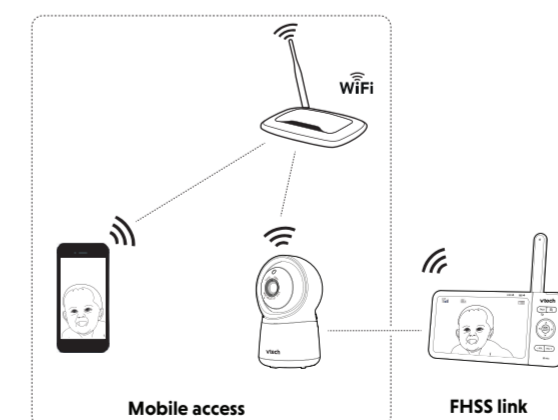


TIP You may experience reduced signal strength if your parent unit and baby unit are far apart, or there are obstructing factors, such as internal walls, between them. Move the parent unit closer to the baby unit to improve the signal strength. Ensure the parent unit antenna is raised for optimum reception.

Wi-Fi mode

To enhance your experience and enjoy seamless live video streaming via your mobile app, and to receive product software updates (when available), we highly recommend setting up your monitor's Wi-Fi connection.

It uses your 2.4GHz home Wi-Fi network to connect your video monitor. It supports live video streaming through the mobile app. To stream live video remotely with your mobile device, download, install the **MyVTech Baby Plus** mobile app. With the mobile app, your Wi-Fi router (not included) provides Internet connectivity to your video monitor system. It serves as a communicating channel between your baby unit and mobile device, allowing you to monitor and/or control your baby unit wherever you are. For more details, see **Download app for mobile access** section in this quick start guide.



PROTECT YOUR PRIVACY AND ONLINE SECURITY

VTech cares about your privacy and peace of mind. That's why we've put together a list of industry-recommended best practices to help keep your wireless connection private and your devices protected when online. We recommend you carefully review and consider complying with the following tips.

Ensure your wireless connection is secure.

- Before installing a device, ensure your router's wireless signal is encrypted by selecting the "WPA2-PSK with AES" setting in your router's wireless security menu.

Change default settings.

- Change your wireless router's default wireless network name (SSID) to something unique.
- Change default passwords to unique, strong passwords. A strong password:
 - Is at least 10 characters long.
 - Is complex.
 - Does not contain dictionary words or personal information.
 - Contains a mix of uppercase letters, lowercase letters, special characters and numbers.

Keep your devices up to date.

- Download security patches from manufacturers as soon as they become available. This will ensure you always have the latest security updates.

- If the feature is available, enable automatic updates for future releases.

Disable Universal Plug and Play (UPnP) on your router.

- UPnP enabled on a router can limit the effectiveness of your firewall by allowing other network devices to open inbound ports without any intervention or approval from you. A virus or other malware program could use this function to compromise security for the entire network.

For more information on wireless connections and protecting your data, please review the following resources from industry experts:

- Federal Communications Commission: Wireless Connections and Bluetooth Security Tips – www.fcc.gov/consumers/guides/how-protect-yourself-online.
- U.S. Department of Homeland Security: Before You Connect a New Computer to the Internet – www.us-cert.gov/ncas/tips/ST15-003.
- Federal Trade Commission: Using IP Cameras Safely – <https://www.consumer.ftc.gov/articles/0382-using-ip-cameras-safely>.
- Wi-Fi Alliance: Discover Wi-Fi Security – <http://www.wi-fi.org/discover-wi-fi/security>.

TEST THE SOUND LEVEL AND POSITION THE BABY MONITOR

Notes

- This baby monitor is intended as an aid. It is not a substitute for proper adult supervision, and should not be used as such.

Testing the sound level of the baby monitor

CAUTION

- For hearing protection, make sure the parent unit is more than 3 m away from the baby unit. If you hear a feedback noise from the parent unit, move the parent unit further away until the noise stops. You can also press **-VOL** on the parent unit to lower or mute the noise.

TIP

- Increase the parent unit speaker volume if you cannot hear the sounds transmitted from the baby unit.

Positioning the baby monitor

CAUTION

- Keep the baby unit out of the reach of your baby. Never place or mount the baby unit inside the baby's cot or playpen.

- Place the baby unit more than 1 m away from your baby.
- Adjust the angle of the baby unit to aim at your baby.
- To avoid causing a feedback noise from your baby monitor:
 - Make sure your baby unit and parent unit are more than 3 m apart; OR
 - Turn down the volume of your parent unit.

TEST THE LOCATION FOR THE BABY UNIT

If you plan to install your baby unit in a designated location, and use your home Wi-Fi network to connect your video monitor, you need to test which of your selected monitoring areas within the house have good Wi-Fi signal strength. After you have powered on your parent unit, you can use your parent unit's **Wi-Fi signal icon(s)** to assist in checking. Once you have identified the suitable location, you can install your baby unit. Adjust the distance between your baby unit and the Wi-Fi router if needed.

TIP

- Surroundings and obstructing factors, such as large metallic objects, filing cabinets, long distances, electrical appliances, and internal walls, may reduce Wi-Fi signal.

NIGHT VISION

The baby unit has infrared LEDs that allow you to see your baby clearly at night or in a dark room. When the baby unit detects low light levels, the infrared LEDs are switched on automatically. The images from the baby unit are in black and white, and appears on the screen.

NOTES

- A **click sound** from the baby unit is a normal occurrence that happens when your unit adapts to the environment lighting conditions.
- To achieve accurate and high quality video feeds, your baby unit is equipped with an Infrared cut-off filter lens that optimises colour accuracy in bright, day-time environments. When the environment turns dark at night, this filter lens is withdrawn to enhance night vision quality. The brief **click sound** you hear is from the filter lens activating/deactivating as the unit switches from day to night vision (and vice versa).

TIP

- Depending on the surroundings and other interfering factors, for example, lighting, objects, colours and backgrounds, the image quality may vary. Adjust the baby unit angle or place the baby unit at a higher location to prevent glare and a blurred display.

PARENT UNIT ICONS

Main Menu	Sub-menu	Options
Night light	On/Off	<ul style="list-style-type: none"> Toggle the night light on or off.
	Colour	<ul style="list-style-type: none"> Select a night light colour. Customised colour is available if your baby unit is paired with MyVTECH Baby Plus app.
	Brightness	<ul style="list-style-type: none"> Adjust the night light brightness. Set the brightness to AUTO adaptive ambience.
	Timer	<ul style="list-style-type: none"> Set the timer to turn the night light off after 15, 30 or 60 minutes, or always on.
Melodies and soothing sounds	Play/Stop	<ul style="list-style-type: none"> Toggle between play and stop.
	Library	<ul style="list-style-type: none"> Select to play all melodies, or play one of the five melodies or five soothing sounds.
	Camera Volume	<ul style="list-style-type: none"> Adjusts baby unit speaker volume.
	Timer	<ul style="list-style-type: none"> Set the timer to stop playing after 15, 30 or 60 minutes, or play non-stop.
General settings	Connect to Mobile App	<ul style="list-style-type: none"> Instructions for adding baby unit to mobile app.
	Camera Volume	<ul style="list-style-type: none"> Adjusts baby unit speaker volume.
	Screen Brightness	<ul style="list-style-type: none"> Adjusts parent unit screen brightness.
	Screen Off Timer	<ul style="list-style-type: none"> Turn the screen off timer OFF, or set the screen to turn off after 1, 3 or 5 minutes when no sound is detected. Select AUTO to set the Sound Sensitivity level for auto screen on when a sound is detected over the set level. The screen will turn off after 50 seconds of no sound detection.
	Temperature Format	<ul style="list-style-type: none"> Set the temperature display format between Celsius or Fahrenheit.
Status icons	Others	<ul style="list-style-type: none"> Reset settings, Software Update.
	Alerts Settings	<ul style="list-style-type: none"> Adjust alerts volume level.
	Motion Detect	<ul style="list-style-type: none"> Turn the motion detection alert on/off. Adjust Motion Sensitivity level for waking the parent unit screen.
	Temperature	<ul style="list-style-type: none"> Turn the temperature alert on/off. Select the temperature alert maximum and minimum temperature limits.
	Low Battery	<ul style="list-style-type: none"> Toggle the low battery alert on or off.
	Lost Link	<ul style="list-style-type: none"> Toggle the lost link alert on or off.
	Help and info	<ul style="list-style-type: none"> Support Information Support video System Info System Information
	Direct signal connection	<ul style="list-style-type: none"> Parent unit and baby unit are connected to each other directly. Signal strength is indicated by the direct signal connection icon(s) on the right. The red bar(s) indicates no connection.
	Wi-Fi signal connection	<ul style="list-style-type: none"> The signal icon(s) on the left indicate the baby unit is connected to a home Wi-Fi network. The red icon(s) indicates no connection. Night vision is turned on.
	Motion detection alert is turned on.	
	Melodies and soothing sounds are playing.	
	Night light is turned on.	
	Auto night light brightness is activated.	
	Temperature alert is turned on.	
	Temperature measured at baby unit.	
	Parent unit speaker is muted	
	Battery indicator	
	Low battery indicator	

MOUNT THE BABY UNIT (OPTIONAL)

NOTES

Check the reception strength and baby unit camera angle before drilling any holes:

- The types of screws and wall plugs you need depend on the composition of the wall. You may need to purchase the screws and wall plugs separately to mount your Baby Units.

- Place the wall mount bracket on a wall and then use a pencil to mark two holes in parallel. Remove the wall mount bracket and drill two holes in the wall (5.5 mm drill bit).
- If you drill the holes into a stud, go to step 3.
 - If you drill the holes into an object other than a stud, insert the wall plugs into the holes. Tap gently on the ends with a hammer until the wall plugs are flush with the wall.
- Align the wall mount bracket and screws with the holes in the wall as shown. Tighten the screw in the middle hole first, so that the wall mount bracket position is fixed. You can tighten the other screw in the top hole.
- Place the baby unit on the wall mount bracket, and then slide it forward until it locks into place. Connect the power adaptor to the baby unit and a power supply.

OR

- Insert the screws into the holes and tighten the screws until only 6.5 mm of the screws are exposed.
- Place the baby unit on the wall mount bracket, and then slide it forward until it locks into place. Align the holes on the wall mount bracket with the screws on the wall, and slide the wall mount bracket down until it locks into place.

5. You can maximise your baby unit viewing angles by tilting the wall mount bracket. Hold the baby unit, and then rotate the knob in an anticlockwise direction. This will loosen the joint of the wall mount bracket. Tilt your baby unit up or down to adjust to your preferred angle. Then, rotate the knob in a clockwise direction to tighten the joint and secure the angle.

TECHNICAL SPECIFICATIONS

Frequency control	Crystal controlled PLL synthesizer
Transmit frequency	Baby unit: 2402 - 2480 MHz (cover all WiFi, FHSS, BLE) Max Transmit power is 10mW (cover all WiFi, FHSS, BLE)
	Parent unit: 2406 - 2475 Mhz Max Transmit power is 100mW
LCD	5" Colour LCD (IPS 1280x720 pixels)
Nominal effective range	Actual operating range may vary according to environmental conditions at the time of use.
Power requirements	Parent Unit: 3.7V 5000mAh 18.5Wh Li-ion battery Baby Unit power adaptor: Output: 5V DC @ 1A Parent Unit power adaptor: Output: 5V DC @ 2A

CUSTOMER SERVICE AND PRODUCT WARRANTY

ONE YEAR PRODUCT WARRANTY

Thank you for choosing this quality product from VTech.

- The product detailed above is covered by a one year warranty from the date of purchase, against any defects in materials or workmanship.
- The product may be returned to the place of purchase.
- If the product covered by this warranty is damaged due to misuse, modification or unauthorized repair, or because of faulty batteries, battery discharge or incorrect electrical connections, then this warranty becomes void.
- This warranty is personal to the original purchaser and is not transferable.
- Breakages to the LCD screen are not covered by the warranty.

Email: service-ukbm@vtechphones.eu

VTech Electronics Europe Plc, c/o XPO Logistics, Warehouse 350, Cat & Fiddle Lane, West Hallam, DE7 6HE

THIS WARRANTY IS OFFERED AS AN EXTRA BENEFIT AND DOES NOT AFFECT CONSUMERS' STATUTORY RIGHTS.

This warranty is valid for the UK and Ireland only. For products purchased outside the UK and Ireland, please contact your local distributor or place of purchase.

IMPORTANT
Please retain this booklet with your sales receipt as proof of the date of purchase.

DISPOSAL OF BATTERIES AND PRODUCT

The crossed-out wheellie bin symbols on products and batteries, or on their respective packaging, indicates they must not be disposed of in domestic waste as they contain substances that can be damaging to the environment and human health.

The chemical symbols Hg, Cd or Pb, where marked, indicate that the battery contains more than the specified value of mercury (Hg), cadmium (Cd) or lead (Pb) set out in Battery Directive (2006/66/EC).

The solid bar indicates that the product was placed on the market after 13th August, 2005.

Help protect the environment by disposing of your product or batteries responsibly.

DECLARATION OF CONFORMITY

This product is intended for use within Europe and UK. This equipment complies with the essential requirements to EU's Radio Equipment Directive (2014/53/EU) and the UK's Radio Regulations 2017 on radio systems and telecommunication equipment.

VTech Telecommunications Ltd. hereby declares that this Video Baby Monitor RM5755HD is in compliance with the essential requirements and other relevant provisions of EU's Radio Equipment Directive (2014/53/EU) and UK's Radio Equipment Regulations 2017. The Declaration of Conformity for the RM5755HD is available from www.vtechphones.eu.



CUSTOMER SUPPORT

Find the answer to your questions. Get assisted at your own pace using our knowledge-rich full Online Manual. Scan the QR code to access the website or visit www.vtechphones.eu



Manufacturer: VTech Telecommunications Ltd.
23/F, Tai Ping Industrial Centre, Block 1, 57 Ting Kok Road, Tai Po, Hong Kong.
Importer: VTech Electronics Europe Plc.
Napier Court, Abingdon Science Park, Abingdon, Oxon, OX14 3YT.

Android™ and Google Play™ are trademarks of Google Inc.
App Store is a trademark of Apple Inc., registered in the U.S. and other countries.
iOS is a trademark or registered trademark of Cisco in the U.S. and other countries and is used under license.