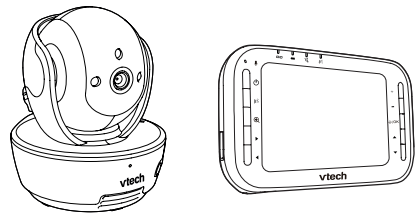
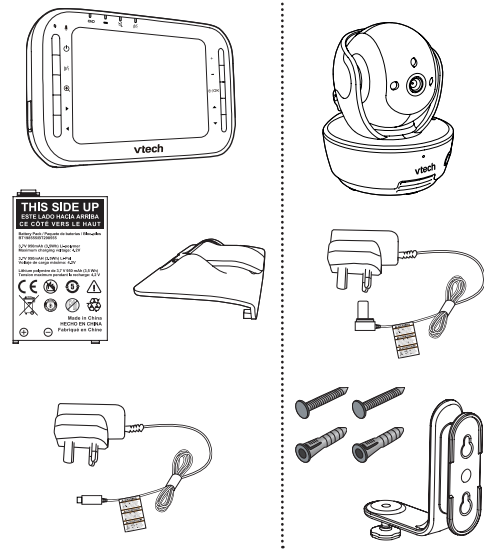


Safe & Sound® Pan & Tilt Video Baby Monitor VM343



What's in the box

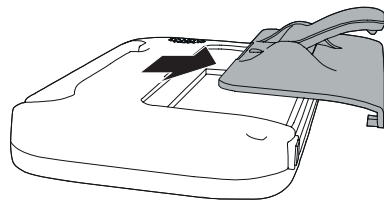


Install the battery

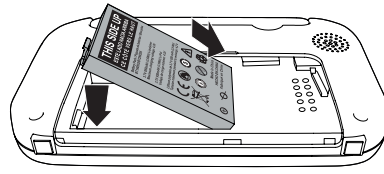
You can power up the parent unit by connecting it to AC power or to the rechargeable battery provided. Even if the parent unit is connected to AC power, we recommend you also install the battery. This guarantees continual operation in case of a power outage.

Install the battery as shown below.

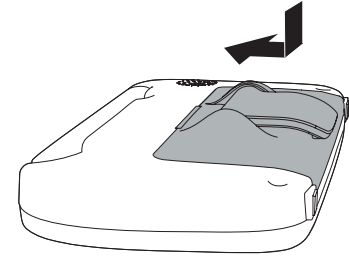
1. Press down on the large tab of the battery compartment cover and pull it out.



2. With the label **THIS SIDE UP** facing up, insert the small tabs of the battery into the slots inside the battery compartment. Make sure the metallic contact is correctly oriented as shown below. Push the battery into the battery compartment until it clicks securely into place.



3. Align the battery compartment cover flat against the battery compartment, then slide it towards the centre of the parent unit until it clicks into place.



Replace the battery

To replace the battery, press down on the large tab of the battery compartment cover and pull it out, then follow the steps above to install the battery.

NOTES

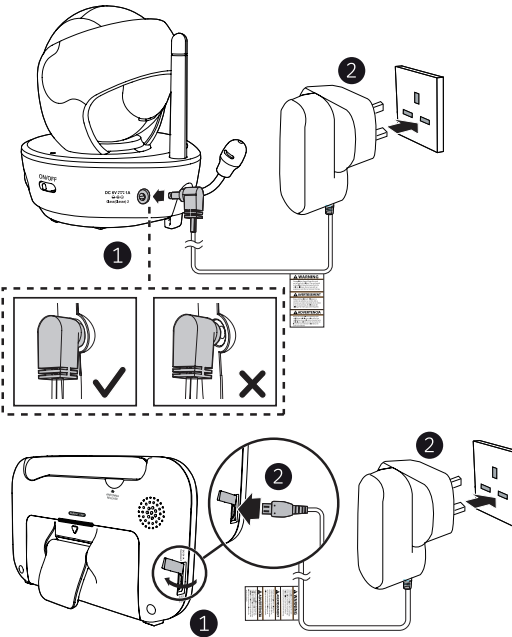
- The operating time for using the rechargeable battery is short. If you want to monitor your baby for a long time, we recommend you connect the parent unit to AC power.
- If the parent unit will not be used for a long time, disconnect and remove the battery to prevent possible leakage.

Connect and charge the battery

NOTES

- Use only the battery supplied with this product.
- Use only the power adaptors supplied with this product.
- Make sure the wall socket is switched on.
- The power adaptors are intended to be correctly oriented in a vertical or floor mount position. The prongs are not designed to hold the plug in place if they are plugged into a ceiling, under-the-table or cabinet outlet.
- Make sure the parent unit, the baby unit and the power adaptor cord are out of reach of children.

Connect the baby monitor



Charge the parent unit battery

When you have connected the parent unit and installed its battery for the first time or after power outage, the parent unit powers on automatically. The battery icon indicates the battery status (see the following table).

NOTES

- The parent unit battery is fully charged after 3 hours of continuous charging.
- It takes longer to charge the battery when the parent unit is turned on. To shorten the charging time, turn the parent unit off whilst charging.
- The standby time varies depending on the sensitivity level you set, your actual use and the age of the baby.

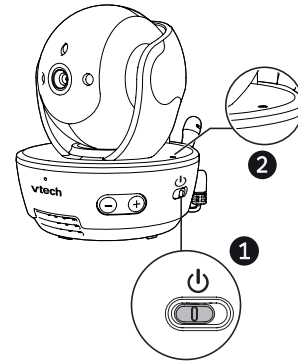
Battery indicators	Battery status	Action
The battery icon is off and displays.	No battery is installed but operates using AC power, or the battery has been installed incorrectly.	Install the parent unit battery. Charge without interruption (at least 30 minutes).
The screen displays Battery low at Parent Unit and light flashes.	The battery has very little charge and may be used for only a short time.	Charge without interruption (about 30 minutes).
The battery icon becomes solid .	The battery is fully charged.	To keep the battery charged, connect it to AC power when not in use.

Before use

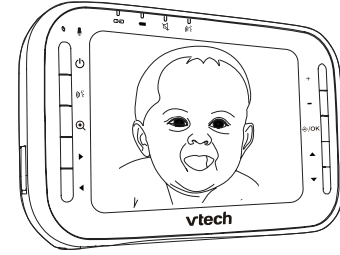
Test the baby monitor before initial use, and at regular times thereafter.

To test your baby monitor:

1. Place the parent unit and the baby unit in the same room to test the product. Make sure the baby unit is at least 1 metre / 3 feet away from the parent unit.
2. Slide **ON/OFF** on the baby unit to turn it on.



3. Upon initial use, the parent unit powers on automatically after connecting to AC power. The screen shows **vtech®** and **Powering on...**



NOTE

If both units are not connected, the parent unit displays **No link to CAM 1** and **Linking...** on the screen. The **LINK** light first flashes and then turns off. Move the parent unit closer to the baby unit.

Positioning the baby monitor

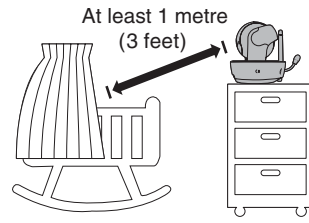
NOTE

This baby monitor is intended as an aid. It is not a substitute for proper adult supervision and should not be used as such.

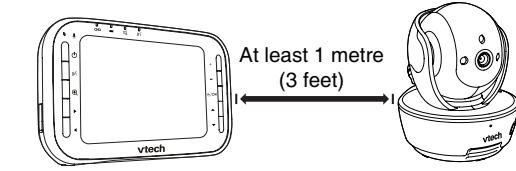
CAUTION

Keep the baby unit out of the reach of your baby. Never place or mount the baby unit inside the baby's cot or playpen.

1. Place the baby unit at least 1 metre / 3 feet away from your baby.



2. Place parent unit at least 1 metre / 3 feet away from the baby unit.



NOTE

If you experience audio feedback on either the parent unit or baby unit, move the parent unit further away until there is no more audio feedback.

TIP

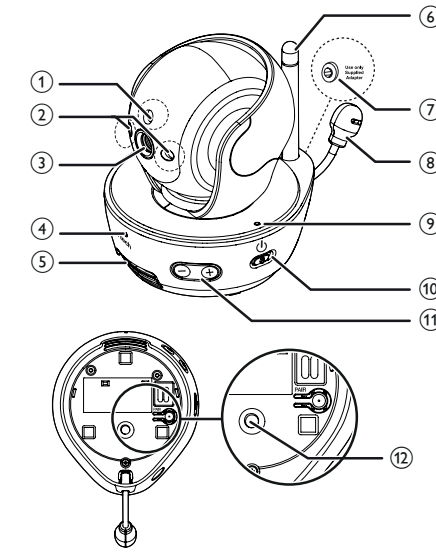
You can increase the speaker volume of the parent unit if you cannot hear the sounds transmitted from the baby unit.

Operating range

The operating range of the baby monitor is up to 300 metres (1,000 feet) outdoors or 50 metres (160 feet) indoors. The actual operating range may vary depending on the environmental conditions and other interferences such as walls, doors and other obstructions.

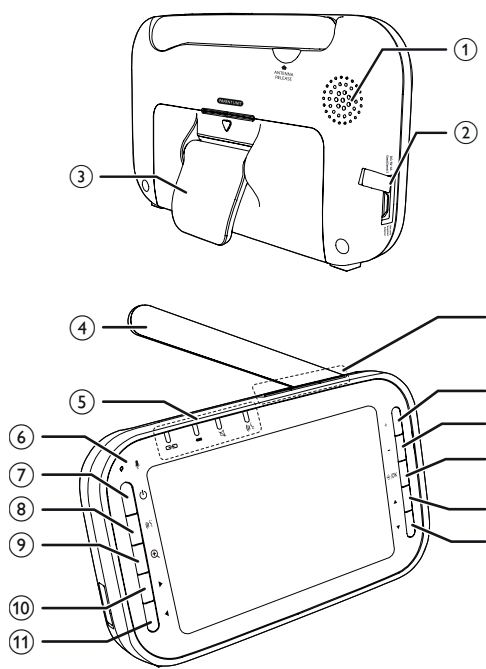
Overview

Baby unit overview



1	Light sensor
2	Infrared LEDs
3	Camera
4	Microphone
5	Speaker
6	Antenna
7	Power jack
8	Temperature sensor
9	ON/OFF LED light
10	ON/OFF switch
11	-VOL/+
12	Threaded socket

Parent unit overview



1	Speaker
2	Power jack
3	Stand
4	Antenna
5	LED lights
6	Microphone
7	On/off
8	TALK
9	Zoom

10	<ul style="list-style-type: none"> • Whilst in a menu, press to select a feature. • Whilst viewing an image, press and hold to move the image to the right.
11	<ul style="list-style-type: none"> • Whilst in a menu, press to return to the main menu or idle screen. • Whilst viewing an image, press and hold to move the image to the left.
12	<ul style="list-style-type: none"> • Press and hold to turn the parent unit screen off. • Press to skip to the next lullaby. • Press to play or stop the lullaby.
13	<ul style="list-style-type: none"> • Press to increase the speaker volume.
14	<ul style="list-style-type: none"> • Press to decrease the speaker volume.
15	<ul style="list-style-type: none"> • Press to enter the menu. • Whilst in a menu, press to choose an item or save a setting.
16	<ul style="list-style-type: none"> • Whilst in a menu, press to scroll up. • Whilst viewing an image, press and hold to move the image upwards.
17	<ul style="list-style-type: none"> • Whilst in a menu, press to scroll down. • Whilst viewing an image, press and hold to move the image downwards.

Parent unit lights

LINK	<ul style="list-style-type: none"> On when moderate or high signal strength is detected between the parent unit and the baby unit. Flashes when low signal strength is detected between the parent unit and the baby unit. Off when the parent unit is turned off, or the link to the baby unit is lost.
	<ul style="list-style-type: none"> On when the parent unit is connected to AC power, or the battery is charging. Flashes when the parent unit battery is low and needs charging. Off when the parent unit is disconnected from AC power.
TALK	<ul style="list-style-type: none"> On when the parent unit is talking to the baby unit.
	<ul style="list-style-type: none"> On when the speaker volume of the parent unit is turned off.

Parent unit display icons

	<ul style="list-style-type: none"> Connection status • displays when strong signal strength is detected between the baby unit and the parent unit. • or displays when moderate or low signal strength is detected between the baby unit and the parent unit. • displays when the link between the baby unit and the parent unit is lost.
	<ul style="list-style-type: none"> Patrol mode • Displays when the parent unit is in PATROL mode.
	<ul style="list-style-type: none"> Night viewing • Displays when the camera has activated the night viewing feature.
	<ul style="list-style-type: none"> Zoom • Displays when the camera at the baby unit has zoomed in.

	<ul style="list-style-type: none"> Temperature alert • Displays when the temperature alert is set on.
57 °F or 14 °C	<ul style="list-style-type: none"> Real-time temperature • Displays the real-time temperature of the baby unit.
	<ul style="list-style-type: none"> Mute alert • Displays when the speaker volume is set to off.
	<ul style="list-style-type: none"> Sound level indicators • Displays the sound level according to the scales of loudness when there is sound transmitted from the baby unit.
	<ul style="list-style-type: none"> Speaker volume • Displays the speaker volume level whilst adjusting.
	<ul style="list-style-type: none"> Battery status • animates when the battery is charging. • displays solid when the battery is fully charged. • displays when the battery is low and needs charging.
	<ul style="list-style-type: none"> AC power • Displays when the parent unit is connected to AC power without the battery.

Parent unit main menu icons

	<ul style="list-style-type: none"> Alert tone You can set the parent unit to beep when <ul style="list-style-type: none"> • the parent unit battery is low; • the link between the parent unit and the baby unit is lost.
	<ul style="list-style-type: none"> Sensitivity With this feature, you can choose to hear sounds from the baby unit all the time, or to hear sounds that exceed a certain level. You can use the parent unit to adjust the microphone sensitivity of your baby unit. The higher the sensitivity level, the more sensitive the baby unit is in detecting sounds for transmitting to the parent unit.
	<ul style="list-style-type: none"> Temperature You can turn the temperature alert feature on so that the parent unit beeps whenever the room temperature detected by the baby unit falls out of the desired temperature range.
	<ul style="list-style-type: none"> Vibration You can turn the vibration alert on so that the parent unit vibrates when <ul style="list-style-type: none"> • the link between the parent unit and the baby unit is lost; • the temperature detected by the baby unit falls out of the preset temperature range.
	<ul style="list-style-type: none"> Sound-activated screen Automatically turns on the parent unit screen when a sound is detected in your baby's room. When no sound is detected, the screen is off to save power.
	<ul style="list-style-type: none"> Brightness You can change the brightness of the parent unit screen.

	<ul style="list-style-type: none"> Rename You can choose a specific name for the baby unit from a pre-defined name list.
	<ul style="list-style-type: none"> Pair/unpair The baby unit and parent unit provided are already paired.

Parent unit display messages

	The baby unit is out of range or is turned off.
	The battery level of the parent unit is very low and needs to be recharged.
	The battery is empty and needs to be recharged.
	The temperature detected from the baby unit is below the selected minimum temperature.
	The temperature detected from the baby unit is above the selected maximum temperature.
	The parent unit is turning on.
	The parent unit is searching for baby unit when the link is lost.

Using the baby monitor

Power the baby unit on or off

- Slide **ON/OFF** to the left to turn the baby unit on. The **ON/OFF** LED light turns on.
- Slide **ON/OFF** to the right to turn the baby unit off. The **ON/OFF** LED light turns off.

Power the parent unit on or off

- Press to turn the parent unit on. The **LINK** light turns on.
- **Press and hold** again to turn the parent unit off. The **LINK** light turns off.

Turn the parent unit screen on or off

You can turn the parent unit screen on or off without powering off the parent unit. You can still hear sound from the baby unit.

- **Press and hold VIEW** on the parent unit to turn the screen off.
- Press any key on the parent unit to turn the screen on again.

Adjust speaker volume

- Press **VOL+** or **VOL-** on the parent unit at any time when viewing images.

NOTE

When the parent unit speaker volume is set to zero, appears on the screen and the light turns on.

For baby unit:

- Press **VOL+** or **VOL-** on the baby unit at any time.

Adjust screen brightness

You can change the brightness of the parent unit screen from **Level 1** to **Level 5**.

1. Press **MENU** when the parent unit is not in use.
2. Press **▼** or **▲** to choose **BRIGHTNESS**, then press **SELECT**.
3. Press **▼** or **▲** to choose the desired level of brightness, then press **SELECT** to confirm your selection.

Adjust the sound sensitivity of the baby unit

You can choose to hear sounds from the baby unit all the time, or to hear sounds that exceed a certain level. You can use the parent unit to adjust the microphone sensitivity of your baby unit from **Level 1** to **Level 5**. The higher the sensitivity level, the more sensitive the baby unit is in detecting sounds for transmitting to the parent unit. The sound sensitivity is preset to **Level 3**.

Sound sensitivity table for reference

	Sensitivity	Description
Level 5	High sensitivity	High sensitivity level The parent unit speaker is constantly on, and you will hear all sounds (including background noises) from your baby's room.
Level 4		Medium high sensitivity level The parent unit speaker turns on for soft babbling and louder sounds from your baby. It remains quiet when your baby sleeps soundly.
Level 3		Medium sensitivity level The parent unit speaker turns on for loud babbling and louder sounds from your baby. It remains quiet when your baby makes soft sounds.
Level 2		Medium low sensitivity level The parent unit speaker turns on for crying and louder sounds from your baby. It remains quiet when your baby makes soft sounds.
Level 1	Low sensitivity	Low sensitivity level The parent unit speaker turns on for loud crying or screaming sounds from your baby. It remains quiet when your baby makes soft sounds.

1. Press **MENU** when the parent unit is not in use.
2. Press **▼** or **▲** to choose **SENSITIVITY**, then press **SELECT**.
3. Press **▼** or **▲** to choose the desired sensitivity level, then press **SELECT** to confirm your selection.

TIP

You can adjust the baby unit placement to improve the sound detection.

Turn the sound activation on or off

The parent unit continuously monitors the sound level in your baby's room. When the sound activation mode is on, the parent unit screen turns on when the baby unit detects a sound.

As long as no sound is detected within 50 seconds, the parent unit screen is off to save power. When your baby starts to cry, the sound activation triggers the parent unit screen automatically turns on.

1. Press **MENU** when the parent unit is not in use.
2. Press **▼** or **▲** to choose **SOUND-ACTIVATED SCREEN**, then press **SELECT**.
3. Press **▼** or **▲** to choose **On** or **Off**, then press **SELECT** to confirm your selection.

NOTES

- If you mute the speaker whilst sound activation is on, then you hear a beep sound whenever the screen turns on.
- If you want to turn the parent unit screen on continuously whilst the sound activation is on, then set the sound sensitivity to **Level 5**.

Zoom

You can zoom in or out whilst viewing an image from the baby unit.

- Press to zoom in.
- **Press and hold ▲, ▼, ◀ or ▶** to move the zoomed image upwards, downwards, leftwards or rightwards correspondingly.
- Press again to zoom out.

Talk

You can use the **TALK** function of the parent unit to comfort your baby.

1. **Press and hold TALK** on the parent unit. The **TALK** light turns on.
2. Speak towards the microphone on the parent unit. Your voice is broadcast to the baby unit.
3. Release the **TALK** key to stop the broadcast. The **TALK** light goes off.

Set alert tone

Low battery tone

You can set the parent unit to beep when the parent unit operates in low battery condition.

- Press **MENU** when the parent unit is not in use.
- Press **▼** or **▲** to choose **ALERT TONE**, then press **SELECT**.
- Press **▼** or **▲** choose **Low Battery Tone**, then press **SELECT**.
- Press **▼** or **▲** to choose **On** or **Off**, then press **SELECT** to confirm your selection.

No link alert

You can set the parent unit to beeps when the link between the parent unit and the baby unit is lost.

- Press **MENU** when the parent unit is not in use.
- Press **▼** or **▲** to choose **ALERT TONE**, then press **SELECT**.
- Press **▼** or **▲** to choose **No Link Alert**, then press **SELECT**.
- Press **▼** or **▲** to choose **On** or **Off**, then press **SELECT** to confirm your selection.

Sound alert

You can turn the sound alert feature on so that, whilst in **SPLIT-VIEW** mode, the parent unit beeps whenever the baby unit detects sounds.

- Press **MENU** when the parent unit is not in use.
- Press **▼** or **▲** to choose **ALERT TONE**, then press **SELECT** to select.
- Press **▼** or **▲** to choose **Sound Alert**, then press **SELECT**.
- Press **▼** or **▲** to choose **On** or **Off**, then press **SELECT** to confirm your selection.

Monitor the temperature

You can set the temperature of your baby's room, you can turn the parent unit temperature alert feature on. It beeps whenever the temperature detected by the baby unit falls out of the desired temperature range.

Minimum temperature

You can set the desired minimum room temperature of the room temperature alert range. The minimum temperature can be set between **11 °C (52 °F)** and **20 °C (69 °F)**.

- Press **MENU** when the parent unit is not in use.
- Press **▼** or **▲** to choose **TEMPERATURE**, then press **SELECT**.
- Press **▼** or **▲** to choose **Minimum**, then press **SELECT**.
- Press **▼** or **▲** to choose the desired temperature, then press **SELECT** to confirm your selection.

Maximum temperature

You can set the desired maximum room temperature of the temperature alert range. The maximum temperature can be set between **21 °C (70 °F)** and **30 °C (86 °F)**.

- Press **MENU** when the parent unit is not in use.
- Press **▼** or **▲** to choose **TEMPERATURE**, then press **SELECT**.
- Press **▼** or **▲** to choose **Maximum**, then press **SELECT**.
- Press **▼** or **▲** to choose the desired temperature, then press **SELECT** to confirm your selection.

Cautions

- Use and store the product at a temperature between 0°C and 40°C.
- Do not expose the product to extreme cold, heat or direct sunlight. Do not put the product close to a heating source.
- Batteries should not be exposed to excessive heat such as bright sunshine or fire.
- Make sure the baby unit and the adaptor cord(s) are always out of reach of the baby, at least 3 feet away from the baby or cot, to avoid a possible strangulation hazard.
- Never place the baby unit inside the baby's cot or playpen. Never cover the baby unit or parent unit with anything such as a towel or a blanket.
- Other electronic products may cause interference with your baby monitor. Try installing your baby monitor as far away from these electronic devices as possible: wireless routers, radios, mobile telephones, intercoms, room monitors, televisions, personal computers, kitchen appliances and cordless telephones.
- Unplug this product from the wall outlet before cleaning. Do not use liquid or aerosol cleaners. Use a damp cloth for cleaning.
- Unplug the power cords before replacing batteries.
- Do not cut off the power adaptors to replace them with other plugs, as this causes a hazardous situation.
- Do not allow anything to rest on the power cords. Do not install this product where the cords may be walked on or crimped.
- This product should be operated only from the type of power source indicated on the marking label. If you are not sure of the type of power supply in your home, consult your dealer or local power company.
- Do not overload wall outlets or use an extension cord.
- Do not place this product on an unstable table, shelf, stand or other unstable surfaces.
- This product should not be placed in any area where proper ventilation is not provided. Slots and openings in the back or bottom of this product are provided for ventilation. To protect them from overheating, these openings must not be blocked by placing the product on a soft surface such as a bed, sofa or rug. This product should never be placed near or over a radiator or heat register.
- Never push objects of any kind into this product through the slots because they may touch dangerous voltage points or create a short circuit. Never spill liquid of any kind on the product.
- To reduce the risk of electric shock, do not disassemble this product, but take it to an authorised service facility. Opening or removing parts of the product other than specified access doors may expose you to dangerous voltages or other risks. Incorrect reassembling can cause electric shock when the product is subsequently used.
- You should test the sound reception every time you turn the units on or move one of the components.
- Periodically examine all components for damage.
- Be aware of possible loss of privacy whilst using public airwaves. Conversations may be picked up by other nursery monitors, cordless phones, scanners, etc.
- Children should be supervised to ensure that they do not play with the product.
- The product is not intended for use by persons (including children) with reduced physical, sensory or mental capabilities, or lack of experience and knowledge, unless they have been given supervision or instruction concerning use of the appliance by a person responsible for their safety.

SAVE THESE INSTRUCTIONS

Temperature alert

You can turn the vibration feature on so that the parent unit vibrates when the temperature is out of the preset temperature range.

- Press **MENU** when the parent unit is not in use.
- Press **▼** or **▲** to choose **TEMPERATURE**, then press **SELECT**.
- Press **▼** or **▲** to choose **Alert**, then press **SELECT**.
- Press **▼** or **▲** to choose **On** or **Off**, then press **SELECT** to confirm your selection.

Temperature format

You can choose to display the temperature in Celcius (°C) or Fahrenheit (°F).

- Press **MENU** when the parent unit is not in use.
- Press **▼** or **▲** to choose **TEMPERATURE**, then press **SELECT**.
- Press **▼** or **▲** to choose **Format**, then press **SELECT**.
- Press **▼** or **▲** to choose **Fahrenheit** or **Celsius**, then press **SELECT** to confirm your selection.

Vibration

You can turn the vibration feature on so that the parent unit vibrates when

- the link between the parent unit and the baby unit is lost;
 - the temperature detected by the baby unit falls out of the preset temperature range.
- Press **MENU** when the parent unit is not in use.
 - Press **▼** or **▲** to choose **VIBRATION**, then press **SELECT**.
 - Press **▼** or **▲** to choose **On if speaker is off, Always on** or **Off**.
 - On if speaker is off** - The parent unit vibrates only when the speaker of the parent unit is turned off.
 - Always on** - The parent unit vibrates regardless of the speaker volume setting.
 - Off** - The parent unit will not vibrate at all.
 - Press **SELECT** to confirm your selection.

- Press **MENU** when the parent unit is not in use.
- Press **▼** or **▲** to choose **TEMPERATURE**, then press **SELECT**.
- Press **▼** or **▲** to choose **Format**, then press **SELECT**.
- Press **▼** or **▲** to choose **Fahrenheit** or **Celsius**, then press **SELECT** to confirm your selection.

Play lullaby

There are 5 lullabies to choose from. The selected lullaby plays repeatedly.

To play lullaby:

Press **▶/■** to play lullaby

To stop lullaby:

Press **▶/■** again to stop playing lullaby.

To skip to the next lullaby:

Press **↵** to skip to the next lullaby.

NOTE

Lullaby playback is paused when the parent unit is talking to the baby unit. Lullaby playback resumes when the parent unit finishes using the **TALK** feature.

Rename the baby unit

You can rename the baby unit. Once the baby unit is renamed, its new name will appear in the sub-menu of below options:

- Sensitivity
- Temperature
- Rename
- Pair/unpair

- Press **MENU** when the parent unit is not in use.
- Press **▼** or **▲** to choose **RENAME**, then press **SELECT**.
- Press **▼** or **▲** to choose **On if speaker is off, Always on** or **Off**.
 - On if speaker is off** - The parent unit vibrates only when the speaker of the parent unit is turned off.
 - Always on** - The parent unit vibrates regardless of the speaker volume setting.
 - Off** - The parent unit will not vibrate at all.
- Press **SELECT** to confirm your selection.

Night vision

The baby unit has infrared LEDs that allow you to see your baby clearly at night or in a dark room. When the baby unit detects low light levels, the infrared LEDs are switched on automatically.

NOTE

When the infrared LEDs are on, the image is in black and white. This is normal due to external light sources.

TIP

Depending on the surroundings and other interfering factors, like lightings, objects, colours and backgrounds, the display resolution may vary. Adjust the baby unit's angle or place the baby unit at a higher level to prevent glare and blurry display.

General product care

To keep this product working well and looking good, follow these guidelines:

- Avoid putting it near heating appliances and devices that generate electrical noise (for example, motors or fluorescent lamps).
- DO NOT expose it to direct sunlight or moisture.
- Avoid dropping the product or treating it roughly.
- Clean with a soft cloth.
- DO NOT immerse the parent unit and the baby unit in water and do not clean them under the tap.
- DO NOT use cleaning spray or liquid cleaners. Make sure the baby unit and parent unit are dry before you connect them to the mains again.

Storage

When you are not going to use the baby monitor for some time, remove the rechargeable battery from the parent unit. Store the parent unit, the baby unit and the adaptors in a cool and dry place.

Frequently asked questions

If you have difficulty with your baby monitor, please try the suggestions below.

<p>Why does the baby monitor produce a high-pitched noise?</p>	<p>Try the following:</p> <ol style="list-style-type: none">Disconnect the power to the baby unit and the parent unit. Remove the battery in the parent unit. Then install the battery again. Wait a few minutes before connecting power back to the baby unit and the parent unit. Turn the baby unit on and the parent unit. Wait for the parent unit to synchronise with the baby unit. Allow up to one minute for this to take place.
<p>Why don't the power-on light of the baby unit and parent unit go on when I switch on the units?</p>	<p>The rechargeable battery of the parent unit could be empty and the parent unit is not connected to the mains. Insert the appliance plug into the parent unit and put the adaptor in a wall socket. Then press ⏻ to switch on the parent unit and to establish connection with the baby unit.</p> <p>The baby unit may not be connected to the mains. Connect the baby unit to the mains. Then set ON/OFF switch to ON to switch the baby unit on and to establish connection with the parent unit.</p>
<p>Why doesn't my parent unit charge while connected to AC power?</p>	<p>You may have used the battery for a long time. Replace a new battery.</p>
<p>Why is my screen in black and white?</p>	<p>The screen is in black and white during the nighttime or in a dark room. This is normal due to external light sources.</p>
<p>Why do I get glare or blurry display on my screen when viewing my baby at night?</p>	<p>During nighttime or in a dark room, the surroundings and other interfering factors, like lightings, objects, colours and backgrounds may affect the image quality on your parent unit screen. Adjust the baby unit's angle or place the baby unit at a higher level to prevent glare and blurry display.</p>
<p>Why does the parent unit beep?</p>	<p>The baby unit may be out of range. Move the parent unit closer to the baby unit (but not less than 1 metre / 3 feet).</p> <p>If the parent unit is powered by the provided battery, it may not have enough charge for the parent unit to perform normally. Charge the battery in the parent unit for up to 12 hours.</p> <p>The temperature of your baby's room may be too high or too low.</p>
<p>Why does the parent unit react too quickly to other sounds?</p>	<p>The baby unit also picks up other sounds than those of your baby. Adjust the sensitivity level to a lower level or adjust the speaker volume on the parent unit.</p>

Why does the baby monitor produce a high-pitched noise?

The **ON/OFF** light on the baby unit flashes and the parent unit displays **↕**.

The units may be too close to each other. Make sure the parent unit and the baby unit are at least 1 metre / 3 feet away from each other.

The baby unit isn't paired with the parent unit. Make sure both parent unit and baby unit are on before pairing.

- Press **MENU** when the parent unit is not in use.
- Press **▼** or **▲** to choose **PAIR/UNPAIR CAM**, then press **SELECT**.
- Press **▼** or **▲** to choose **Pair CAM**, then press **SELECT**.
- Press **▼** or **▲** to choose an empty baby unit slot, then press **SELECT**. The parent unit screen displays **Press and hold the pair button at the CAM for 5 seconds until the power indicator flashes..**
- Immediately **press and hold PAIR** on the bottom of the baby unit. The LED light flashes quickly.

When pairing is successful, the screen displays the view of the newly paired baby unit. The LED light on the new baby unit remains on.

- If pairing fails, the screen displays **Pairing failed**. Try the pairing process again.

Why don't I hear a sound/ Why can't I hear my baby cry?

The parent unit speaker volume may be too low or off. Press **VOL+** to increase the volume.

You may have set a low sound sensitivity level. See **Adjust the sound sensitivity of the baby unit** to change the setting.

Why can't I establish a connection? Why is the connection lost every now and then? Why are there sound interruptions?

The baby unit may be out of range. Move the parent unit closer to the baby unit (but not less than 1 metre / 3 feet).

Other electronic products may cause interference with your baby monitor. Try installing your baby monitor as far away from these electronic devices as possible.

Important safety instructions

When using your equipment, basic safety precautions should always be followed to reduce the risk of fire, electric shock and injury, including the following:

- Follow all warnings and instructions marked on the product.
- Adult setup is required.
- This product is intended as an aid. It is not a substitute for responsible and proper adult supervision and should not be used as such.
- This product is not intended for use as a medical monitor.
- Do not use this product near water. For example, do not use it next to a bath tub, wash bowl, kitchen sink, laundry tub or swimming pool, or in a wet basement or shower.
- CAUTION:** Use only the batteries indicated in this manual. There may be a risk of explosion if a wrong type of battery is used for the parent unit. Use only the supplied rechargeable battery.
- Use only the adaptors included with this product. Incorrect adaptor polarity or voltage can seriously damage the product. Baby unit power adaptor: Input 100-240V AC 50/60 Hz; output: 6V DC 1000mA Parent unit power adaptor: Input 100-120V AC 50/60 Hz; output: 5V DC 1000mA. For pluggable equipment, the socket-outlet shall be installed near the equipment and shall be easily accessible.
- The power adaptors are intended to be correctly oriented in a vertical or floor mount position. The prongs are not designed to hold the plug in place if it is plugged into a ceiling, under-the-table or cabinet outlet.


Customer service and product warranty

IMPORTANT

Please retain this booklet with your sales receipt as proof of the date of purchase.

Customer Service

Please call our Consumer Services Department on 01235 546810 (from UK) or +44 1235 546810 (outside UK) and a service representative will be happy to help you.

<p>vtech PRODUCT WARRANTY</p> <p>ONE YEAR</p> <p>Thank you for choosing this quality product from VTech. We hope it will bring many hours of entertainment, imaginative play and learning.</p> <p>1. The product detailed above is covered by a one year warranty from the date of purchase, against any defects in materials or workmanship.</p> <p>2. The product may be returned to the place of purchase. Alternatively the product can be returned to VTech Electronics Europe plc (see address below), with proof of purchase, without proof of purchase no replacement will be provided.</p> <p>3. VTech Electronics Europe plc will examine the product and if it is found to be defective due to faulty materials or workmanship, will replace the product at their discretion.</p> <p>4. If the product covered by this warranty is damaged due to misuse, modification or unauthorised repair, or because of faulty batteries, battery discharge or incorrect electrical connections, then this warranty becomes void.</p> <p>5. This warranty is personal to the original purchaser and is not transferable.</p> <p>6. Breakages to the LCD screen are not covered by the warranty.</p> <p>7. Returns to VTech Electronics Europe plc should include a cheque or postal order for £1.50 towards the cost of return postage and packaging.</p> <p>8. Products returned to VTech Electronics Europe plc should be addressed as follows and packed carefully to avoid damage in transit (Please do not include batteries or adaptor). Please include details of the fault together with your name and address.</p> <p>VTech Electronics Europe plc, c/o Tabtaggi Limited, 200 Milton Park, Abingdon, Oxon OX14 4TA</p> <p><small>THIS WARRANTY IS OFFERED AS AN EXTRA BENEFIT AND DOES NOT AFFECT CONSUMERS' STATUTORY RIGHTS.</small></p> <p><small>This warranty is valid for the UK and Eire only. For products purchased outside the UK and Eire, please contact your local distributor or place of purchase.</small></p>	 
---	--

This warranty is valid for the UK and Eire only. For products purchased outside the UK and Eire, please contact your local distributor or place of purchase.

Technical specifications

Frequency control	Crystal controlled PLL synthesizer
Transmit frequency	Baby unit: 2406 - 2475 MHz Parent unit: 2406 -2475 MHz
Channels	24
LCD	4.3" Colour LCD (WQVGA 480x272 pixel)
Nominal effective range	Maximum power allowed by FCC and IC. Actual operating range may vary according to environmental conditions at the time of use.
Power requirements	Use only power adaptor listed below: <p>Baby unit:</p> <p>Ten Pao International Ltd. Model : S006MV0600100, Input 100-240V AC 50/60Hz 300mA, Output 6VDC 1000mA (EU plug).</p> <p>Model : S006MB0600100, Input 100-240V AC 50/60Hz 300mA, Output 6VDC 1000mA (UK plug).</p> <p>Parent unit:</p> <p>Ten Pao International Ltd. Model : S006MV0500100, Input 100-240V AC 50/60Hz 300mA, Output 5VDC 1000mA (EU plug).</p> <p>Model : S006MB0500100, Input 100-240V AC 50/60Hz 300mA, Output 5VDC 1000mA (UK plug).</p>
	Use only the rechargeable battery listed below:
	BYD Lithium Battery Company Limited Model: BT198555/BT298555, 3.7V, 950mAh, Lithium Polymer
	CAUTION: Risk of explosion if battery is replaced by incorrect type disposed of used batteries according to the instruction.

Disposal of batteries and product

NOTE

The crossed-out wheelie bin symbols on products and batteries, or on their respective packaging, indicates they must not be disposed of in domestic waste as they contain substances that can be damaging to the environment and human health.

NOTE

The chemical symbols Hg, Cd or Pb, where marked, indicate that the battery contains more than the specified value of mercury (Hg), cadmium (Cd) or lead (Pb) set out in Battery Directive (2006/66/EC).


The solid bar indicates that the product was placed on the market after 13th August, 2005.

Help protect the environment by disposing of your product or batteries responsibly.

For more information, please visit:

www.recycle-more.co.uk

www.recyclenow.com.

 Designed to fit your home. And your life.

VTech Telecommunications Ltd. A member of THE VTECH GROUP OF COMPANIES. Distributed in the U.K. by VTech Electronics Europe plc., VTech is the registered trademark of VTech Holdings Limited. Specifications are subject to change without notice. © 2015 for VTech Telecommunications Ltd. All rights reserved. 05/15. VM343_UK_CIB_V1.0

